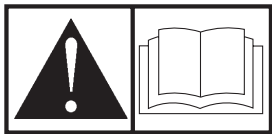




**Electric
Pressure Washer**

OPERATOR'S MANUAL



Manual No. 315652 Revision A

This pressure washer is rated in accordance to the Pressure Washer Manufacturers Association (PWMA) standard PW101-2010 (Testing and Rating Performance of Pressure Washers).

**BRIGGS & STRATTON POWER PRODUCTS GROUP, LLC
MILWAUKEE, WISCONSIN, U.S.A.**

Thank you for purchasing this quality-built Briggs & Stratton® electric pressure washer. We are pleased that you've placed your confidence in the Briggs & Stratton brand. When operated and maintained according to the instructions in this manual, your Briggs & Stratton electric pressure washer will provide many years of dependable service.

This manual contains safety information to make you aware of the hazards and risks associated with electric pressure washers and how to avoid them. Because Briggs & Stratton does not necessarily know all the applications this electric pressure washer could be used for, it is important that you read and understand these instructions thoroughly before attempting to start or operate this equipment. **Save these original instructions for future reference.**

This electric pressure washer requires final assembly before use. Refer to the *Assembly* section of this manual for instructions on final assembly procedures. Follow the instructions completely.

Where to Find Us

Should you require assistance with set-up, or immediate answers regarding the operation of your model, please call us toll free at **(800) 743-4115**, Monday through Friday, between 8:00 AM and 5:00 PM CST.

Electric Pressure Washer

Model Number	<input type="text"/> <input type="text"/> <input type="text"/> <input type="text"/> <input type="text"/> <input type="text"/> <input type="text"/> <input type="text"/>
Revision	<input type="text"/> <input type="text"/>
Serial Number	<input type="text"/> <input type="text"/> <input type="text"/> <input type="text"/> <input type="text"/> <input type="text"/> <input type="text"/> <input type="text"/> <input type="text"/> <input type="text"/> <input type="text"/> <input type="text"/>

Date Purchased

Not for
Reproduction

Copyright © 2013. Briggs & Stratton Power Products Group, LLC
Milwaukee, WI, USA. All rights reserved.
Briggs & Stratton Power Products is a registered
trademark of Briggs & Stratton Corporation
Milwaukee, WI, USA

Table of Contents

Operator Safety	4
Equipment Description	4
Important Safety Information	4
Assembly	7
Unpack Electric Pressure Washer	7
Prior to Operation	7
Assemble Main Unit	8
Lubricate O-Rings	9
Connect Hoses and Water Supply	10
Connect Wand and Spray Tips	10
Checklist Before Starting Pump Motor	11
Servicing Of A Double-Insulated Appliance	11
Features and Controls	12
Operation	13
How to Start Your Electric Pressure Washer	13
How to Stop Your Electric Pressure Washer	14
How to Use the Spray Tips	14
Applying Detergent	15
Electric Pressure Washer Rinsing	15
How to Use the Electric Inflator Function	16
Maintenance	17
General Recommendations	17
Electric Pressure Washer Maintenance	17
Spray Tip Maintenance	18
Pump and Motor Maintenance	18
After Each Use	19
Winter or Long Term Storage	19
Initial Storage Procedures	19
Protecting the Pump	19
Final Storage Procedures	19
Troubleshooting	20
Warranty	21
Electric Pressure Washer Owner Warranty	21
Product Specifications	22

Operator Safety

SAVE THESE INSTRUCTIONS

Equipment Description



WARNING Failure to read and follow the operator's manual and all operating instructions before using could result in death, serious injury, and/or property damage.

- Read this manual carefully and become familiar with your electric pressure washer. Know its applications, its limitations, and any hazards involved.

The electric pressure washer operates at 1700 PSI (117.2 BARS) at a flow rate of 1.3 gallons per minute (4.9 liters per minute).

Every effort has been made to ensure that the information in this manual is accurate and current. However, we reserve the right to change, alter, or otherwise improve the product and this document at any time without prior notice.

Ground Fault Circuit Interrupter Protection

This product must be properly grounded. This pressure washer is provided with a ground-fault circuit-interrupter (GFCI) built into the plug of the power supply cord. This device provides additional protection from the risk of electric shock. Should replacement of the plug or cord become necessary, use only identical replacement parts that include GFCI protection.

Automatic Shut-Off

The electric pressure washer is equipped with a sensor that will detect that water flow has stopped when releasing or locking the spray gun trigger. The sensor will cause the motor to shut off for as long as the spray gun trigger is released or locked.

If the motor continues to run when the spray gun trigger is released or locked, **DO NOT USE THE MACHINE**. Call the electric pressure washer helpline at **(800) 743-4115** for assistance.

NOTICE The electric pressure washer is equipped with a main power ON/OFF switch. The switch should always be set to the OFF position (O) when the electric pressure washer is not being used to prevent possible damage.

Motor Overload

The electric motor in this electric pressure washer is equipped with an overload protection device (thermostat). This device will automatically shut off the motor if the motor overheats or draws excessive current.

If the overload protection device is tripped, disconnect the power supply by turning the master ON/OFF switch to the OFF (O) position. Let unit cool for 30 minutes. Then turn the master ON/OFF switch to the ON (—) position to resume operation.

Important Safety Information

Please read and understand this entire manual before attempting to assemble, operate or service the product. Follow the maintenance instructions specified in this manual. If you have any questions regarding the product, please call customer service at **(800) 743-4115**, 8 a.m. - 5 p.m., CST, Monday - Friday.

Safety Symbols and Meanings



Read Manual



Electrical Shock



Fire



Slippery Surface



Fall



Fluid Injection



Projectile



Flying Objects



Bursting



Chemical Burn

▲ The safety alert symbol indicates a potential personal injury hazard. A signal word (DANGER, WARNING, or CAUTION) is used with the alert symbol to designate a degree or level of hazard seriousness. A safety symbol may be used to represent the type of hazard. The signal word NOTICE is used to address practices not related to personal injury.

▲ **DANGER** indicates a hazard which, if not avoided, *will* result in death or serious injury.

▲ **WARNING** indicates a hazard which, if not avoided, *could* result in death or serious injury.

▲ **CAUTION** indicates a hazard which, if not avoided, *could* result in minor or moderate injury.

NOTICE address practices not related to personal injury.

For Grounding Instructions, See Assembly Section.



WARNING Risk of electrocution. Use of an extension cord could cause electric shock or burn resulting in death or serious injury.

- **DO NOT** use an extension cord with this electric pressure washer. Your home's electrical circuit receptacle or extension cord may not provide lifesaving ground-fault circuit-interruption protection.

▲ WARNING Risk of electrocution. Contacting both power conductors, at the same time could cause electric shock or burn resulting in death or serious injury.

- Connect only to a properly grounded outlet. DO NOT remove ground pin from plug.
- Inspect cord before each use, DO NOT use if cord is damaged.
- The product is equipped with a ground fault circuit interrupter (GFCI) built into the power cord plug. If replacement of the plug or cord is required, use only identical replacement parts.
- Keep all connections dry and off the ground.
- DO NOT touch plug with wet hands.
- DO NOT run cord through doorways, windows, holes in ceilings, walls, or floors.
- DO NOT walk on cord.
- DO NOT drive over, drag or place objects over cord.
- DO NOT spray near power source.

▲ WARNING Use of electric pressure washer could create puddles and slippery surfaces.



Risk of kickback. Spray gun could kickback causing you to fall resulting in death or serious injury.

- Operate the electric pressure washer from a stable surface.
- Do not overreach or stand on unstable support. Keep good footing and balance at all times.
- The cleaning area should have adequate slopes and drainage to reduce the possibility of a fall due to slippery surfaces.
- Be extremely careful if you must use the electric pressure washer from a ladder, scaffolding, or any other similar location.
- Firmly grasp spray gun with both hands when using power spray modes to avoid injury when spray gun kicks back.

▲ WARNING Chemical Burn Hazard.



Chemicals could cause burns resulting in death or serious injury.

- Always wear indirect vented (chemical splash) safety goggles marked to comply with ANSI Z87.1 when using chemicals.
- DO NOT substitute safety glasses or dry-condition goggles for indirect vented safety goggles.
- DO NOT use caustic liquid with electric pressure washer.
- Use ONLY pressure washer safe detergents/soaps. Follow all manufacturers instructions.

▲ WARNING Risk of eye or bodily injury. Spray could splash back, propel objects or cause internal harm resulting in serious injury.



- Always wear indirect vented (chemical splash) safety goggles marked to comply with ANSI Z87.1 when using or in vicinity of this equipment. NEVER substitute safety glasses or dry-condition goggles for indirect vented safety goggles.
- Know how to stop the pressure washer and bleed pressure quickly. Be thoroughly familiar with the controls.
- DO NOT allow CHILDREN to operate the electric pressure washer.
- Keep operating area clear of all persons.
- Inspect high pressure hose before each use. NEVER repair high pressure hose; replace it.
- DO NOT repair leaking connections with sealant of any kind; replace o-rings and gaskets.
- Keep hose connected to electric pressure washer and spray gun while system is pressurized.
- ALWAYS point spray gun in safe direction while system is pressurized and squeeze spray gun trigger to release high pressure, every time you turn off the pressure washer.
- DO NOT aim spray gun at people or animals.
- DO NOT drink from hose connected accessories.
- DO NOT secure spray gun in open position.
- DO NOT leave spray gun unattended while the electric pressure washer is in ON (—) position.
- DO NOT use a spray gun which does not have a trigger lock or trigger guard in place and in working order.
- Always be certain spray gun and accessories are correctly attached.
- Stay alert – watch what you are doing.
- DO NOT operate the product when fatigued or under the influence of alcohol or drugs.
- Close supervision is necessary when this product is used near children.

▲ WARNING The high pressure stream of water that this equipment produces could cut through skin and its underlying tissues, resulting in serious injury and possible amputation.



Spray gun traps high water pressure, even when motor is stopped and water is disconnected, which could result in serious injury.

- NEVER aim spray gun at people, animals, or plants.
- ALWAYS point spray gun in safe direction, squeeze spray gun trigger to release high pressure, every time you turn off pressure washer.

▲ WARNING Risk of fire. Spraying flammable liquids could result in death or serious injury.



- DO NOT spray flammable liquids.

▲ WARNING Risk of fire. Overheated cord could result in death or serious injury.



- Uncoil cord completely prior to use.
- DO NOT cover cord with any material.

▲ WARNING Risk of bursting. High pressure air could result in death or serious injury.



- Follow manufacturer's instructions on items to avoid over inflation.
- Use only recommended air-handling parts acceptable for pressures not less than 250 PSI.
- Do not leave inflator unattended while running.
- Do not use at pressure greater than 100 PSI.
- Air pressure gauge for reference only.
- Always check items being inflated with a calibrated gauge to determine actual pressure.
- Inflating items 10 PSI or less, inflate using short bursts and check pressure with calibrated gauge.

▲ WARNING This product contains lead and lead compounds, known to the State of California to cause birth defects or other reproductive harm. *Wash your hands after handling this product.*

NOTICE High pressure spray could damage fragile items including glass.

- DO NOT point spray gun at glass when using red (0°) spray tip.
- NEVER aim spray gun at plants.

NOTICE Improper treatment of electric pressure washer could damage it and shorten its life.

- If you have questions about intended use, ask dealer or contact authorized service center.
- DO NOT operate units with broken or missing parts, or without protective housing or covers.
- DO NOT by-pass any safety device on the electric pressure washer.
- DO NOT modify the electric pressure washer in any way.
- Before starting the electric pressure washer in cold weather, check all parts of the equipment to be sure ice has not formed there.
- DO NOT move the electric pressure washer by pulling on hoses. Move unit using the transport handle supplied.
- Use ONLY branded accessories intended for use with this product.

Not for
Reproduction

Assembly



Read entire operator's manual before you attempt to assemble or operate your new electric pressure washer.

Your electric pressure washer requires some assembly but is quickly ready for use. If you have any problems with the assembly of your electric pressure washer, please call the electric pressure washer helpline at **(800) 743-4115**. If calling for assistance, please have the model, revision, and serial number from the identification label available.

Tools Needed

- Phillips screw driver, #2
- Needle nose pliers

Items Not Included

- Garden hose

Unpack Electric Pressure Washer

1. Remove everything from carton.
2. Ensure you have all included items prior to assembly.

Items Included in the Carton

- Main unit
- Handle
- Accessory tray
- Wheels (2)
- Detergent bottle
- Stability Foot
- Screws (6)
- Spray gun
- High pressure hose
- Turbo wand
- Metal wand (1) and tips (3)
- Parts bag (which includes the following):
 - O-rings, spare: 2 for spray gun; 2 large and 2 small for high pressure hose
 - Operator's manual
 - Owner's registration card

Check all contents. If any parts are missing or damaged, call the electric pressure washer helpline at **(800) 743-4115**.

Become familiar with each component before assembling the electric pressure washer. Identify contents with the illustration shown in *Features and Controls*.

Prior to Operation

1. Please fill out and send in the registration card.
2. Read and perform the following instructions while paying close attention to all warnings and notices.

NOTICE Connect ONLY to water source capable of supplying a minimum of 3 gpm (11.4 l) and no less than 20 psi (1.38 bars) at the electric pressure washer end of garden hose. Inspect all equipment, hoses and accessories thoroughly before each use; DO NOT use if damaged.

- ONLY use branded accessories intended for use with this product.
- For optimum performance, DO NOT use a garden hose that exceeds 50 feet in length.
- Replace only with original equipment parts.
- To order, call **(800) 743-4115** or visit BRIGGSandSTRATTON.COM.

Assemble Main Unit

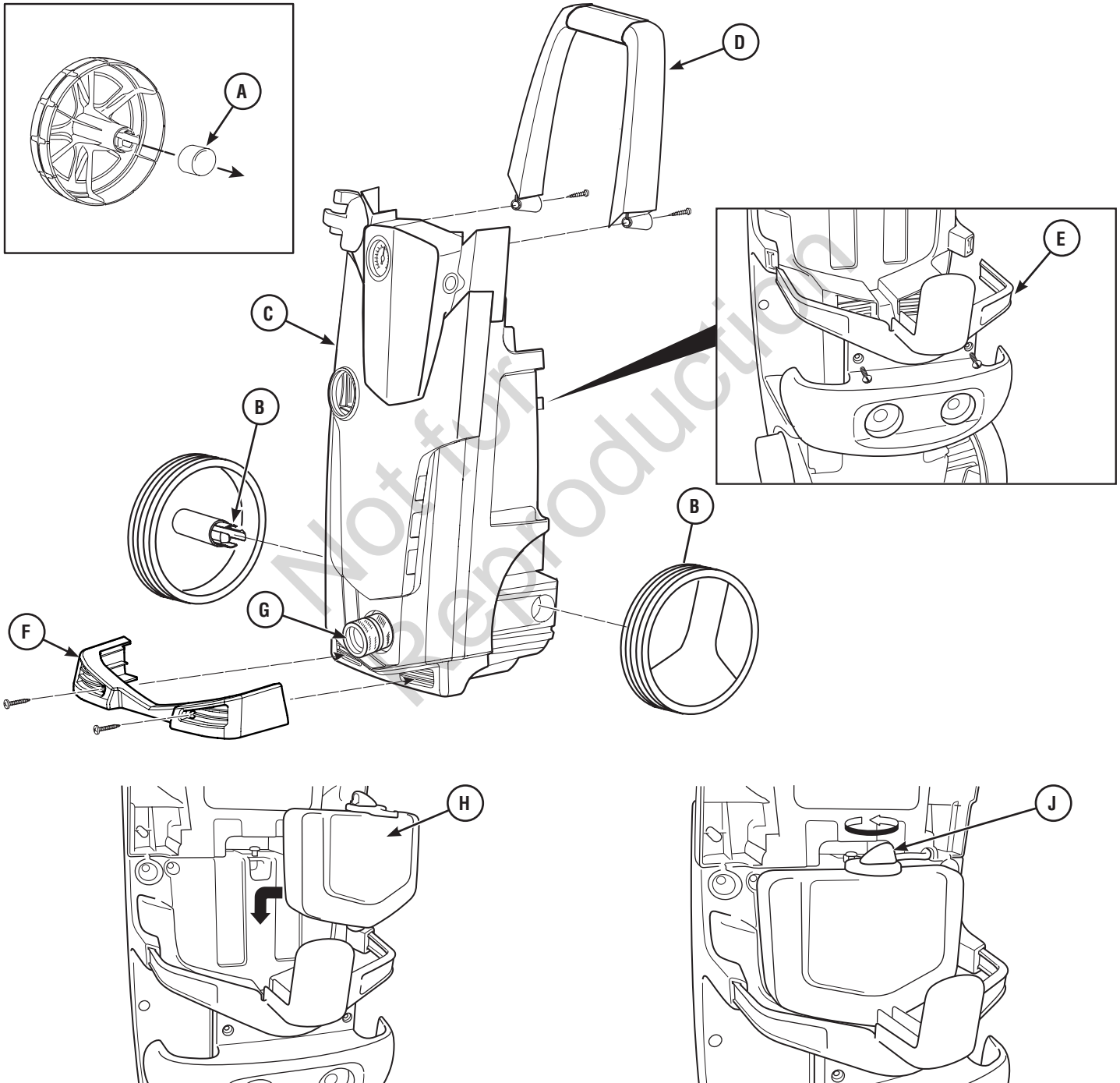
When performing the following assembly procedures, pay close attention to the illustration at the bottom of this page.

1. Remove and discard the protective cap (A) from each wheel shaft.

NOTICE During shipment wheel tabs may compress inward. If so, gently spread tabs outward.

2. Slide wheel shafts (B) into holes at sides of main unit (C). Wheels are installed correctly when you hear a CLICK and they are securely in place.

3. Slide the handle (D) into the slots at top of main unit. Install two (2) screws to secure the handle to the main unit.
4. Slide accessory tray (E) into slots at back of main unit. Install two (2) screws to secure the accessory tray to the main unit.
5. Install stability foot (F) if equipped, and secure using two screws.
6. Confirm that black rubber gasket (G) is installed in water inlet located at lower front of unit.
7. Place detergent bottle (H) onto shelf at back of unit.
8. Rotate detergent bottle cap (J) counter-clockwise until it clicks onto retaining tab. Make sure that end of suction hose contacts bottom of bottle.



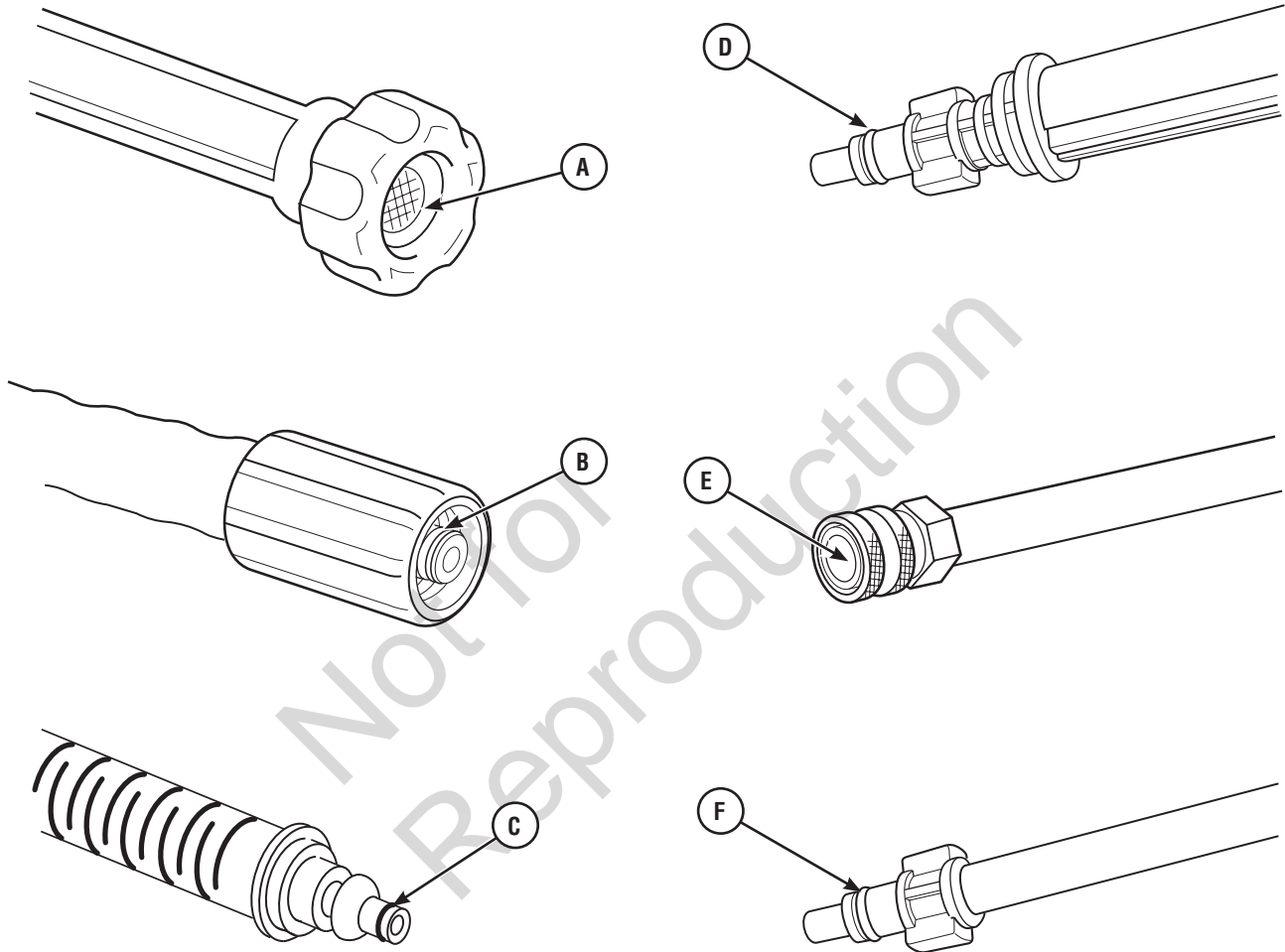
Lubricate O-Rings

Lubrication of o-rings is extremely important for installation and operation. The use of a lubricant (petroleum or synthetic grease) during assembly helps seat o-rings properly and provides an improved seal. It also helps protect the o-ring from damage by abrasion, pinching or cutting and extends the life of the o-ring.

NOTICE ALWAYS apply a small amount of lubricant on o-rings prior to assembling the garden hose to the pump (A), high pressure hose (pump end) (B), high pressure hose (gun end) (C), turbo wand (gun end) (D), metal wand (spray tip end) (E) and metal wand (gun end) (F).

Lubricate all connections shown below, following these instructions:

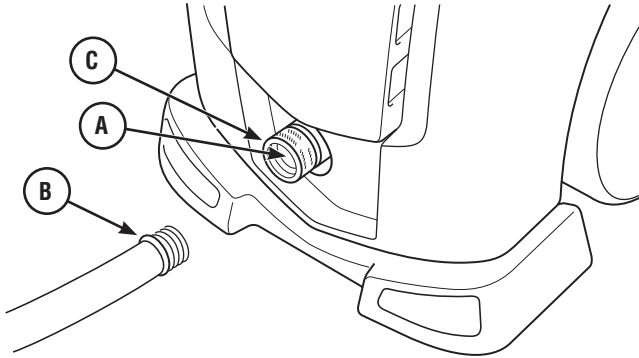
1. Inspect and clean connecting surfaces prior to lubrication and assembly.
2. Use lubricants sparingly during assembly; a light film is all that is required.
3. Use a small brush or cotton swab to apply grease directly to o-rings where they are not accessible (QC fitting, M22 fitting).



Connect Hoses and Water Supply

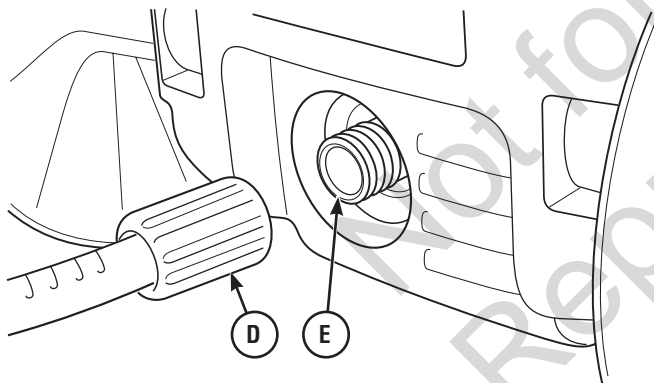
NOTICE Use ONLY cold water (less than 100°F).

1. Attach garden hose (50 ft. / 15.24 m maximum) to water supply.
2. Run water through garden hose for 30 seconds to flush the hose of debris. Turn off water.
3. Confirm that black rubber gasket (A) is installed in water inlet located at lower front of unit.

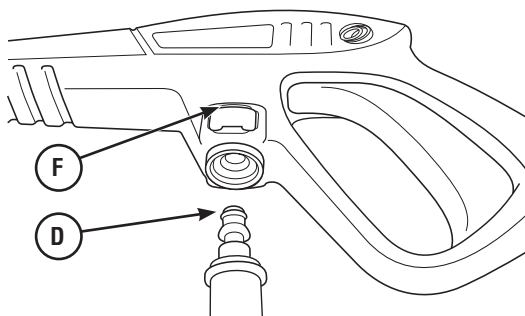


NOTICE DO NOT run the pump without the water supply connected and turned on.

- Damage to equipment resulting from failure to follow this instruction will void warranty.
4. Attach opposite end of garden hose (B) to the water inlet coupling (C). Tighten by hand.
 5. Attach high pressure hose (D) to the unit's water outlet (E) located at lower back of unit. Tighten by hand.

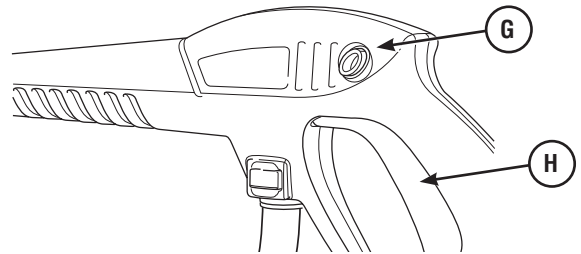


6. Attach opposite end of high pressure hose to the spray gun. Press red button (F) on spray gun, then insert end of high pressure hose (D) into gun until it SNAPS into place. Release the red button and make sure connection is secure.

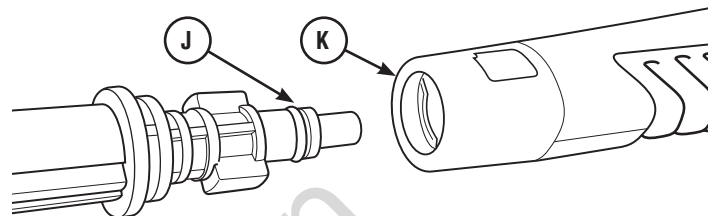


Connect Wand and Spray Tips

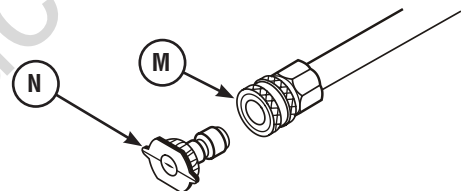
1. Turn ON water, point gun in a safe direction, press trigger release (G), then squeeze trigger (H) to purge pump system and spray gun of air and impurities.



2. Insert and twist wand (J) into spray gun (K). Once wand slides into gun, apply further inward pressure to wand and twist 1/4 turn clockwise until securely in place.



3. When the metal wand is installed, select the spray tip you want to use. Pull back on collar of wand (M), insert spray tip (N) and release collar. Tug on spray tip to make sure it is securely in place. See *How to Use Spray Tips*.



4. Turn OFF water and release trigger. Point gun in a safe direction and make sure trigger cannot be squeezed.

Checklist Before Starting Pump Motor

Review the unit's assembly to ensure you have performed all of the following.

1. Be sure to read *Operator Safety* and *Operation* before using the electric pressure washer.
2. Check for properly tightened hose connections.
3. Check to make sure there are no kinks, cuts, or damage to hoses.
4. Provide a proper water supply at an adequate flow (not to exceed 100 °F).
5. Plug electrical cord into a properly grounded electrical source.

Servicing Of A Double-Insulated Appliance

In a double-insulated product, two systems of insulation are provided instead of grounding. No grounding means is provided on a double-insulated product, nor should a means for grounding be added to the product. Servicing a double-insulated product requires extreme care and knowledge of the system, and should be done only by qualified service personnel. Replacement parts for a double-insulated product must be identical to the parts they replace. A double-insulated product is marked with the words "DOUBLE INSULATION" or "DOUBLE INSULATED."

The symbol  means DOUBLE-INSULATED APPLIANCE.

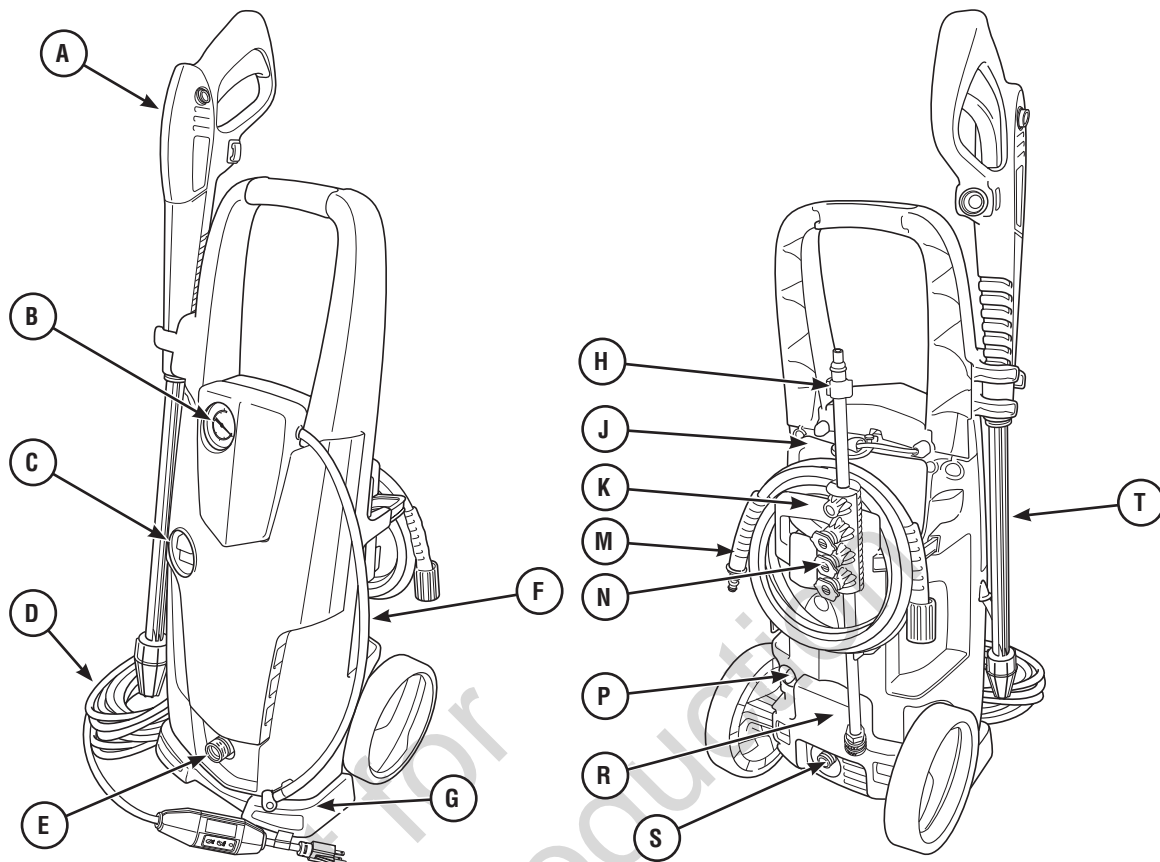
Not for
Reproduction

Features and Controls



Read the Operator's Manual and safety rules before operating your electric pressure washer.

Compare the illustrations with your electric pressure washer to familiarize yourself with the locations of various controls and adjustments. Save this original manual for future reference.



A - Spray Gun — Controls the application of water onto cleaning surface with trigger device. Includes trigger lock.

B - Pressure Gauge — Shows the amount of air pressure in the object being inflated.

C - Master ON/OFF Toggle Switch — Push top of switch in (–) for pressure washer function ON. Push Bottom of switch in (=) for inflator function ON. Place switch in center position (0) for OFF.

D - Electric Cord with GFCI — The electric pressure washer and operator is protected by a ground fault circuit interrupter (GFCI).

E - Water Supply Inlet — Connect to water supply using a 50 ft. (15.24 m) maximum garden hose.

F - Air Hose — Used to inflate small inflatables.

G - Stability Foot — Stabilizes the pressure washer when in the upright position.

H - Metal Wand with Quick Connect — Allows you to switch between three different spray tips.

J - Detergent Bottle — Used to siphon pressure washer safe detergents into a low pressure stream.

K - Accessory Tray — Provides convenient storage for standard and optional accessories.

M - High Pressure Hose — Connect one end to high pressure water outlet and the other end to spray gun.

N - Spray Tips — Detergent (black), 0° (red) and 15° (orange) for various high pressure applications.

P - Spray Tip Cleaner — Used to remove sediment and clogs from spray tips.

R - Identification Label — Provides model and serial number of pressure washer. Please have these readily available if calling for assistance.

S - High Pressure Water Outlet — Connection for high pressure hose.

T - Turbo Wand — Whirls a powerful pin-point jet of water for intense cleaning.

Items Not Shown:

Warning Labels — Identifies hazards to be avoided when using your pressure washer.

Operation

How to Start Your Electric Pressure Washer

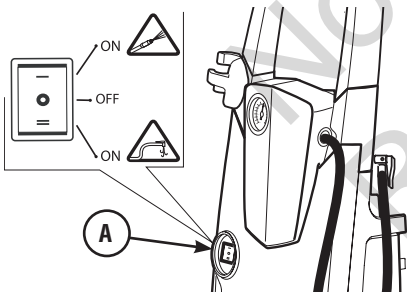
Follow the instructions below in the order presented. If you have any problems operating your electric pressure washer, please call the electric pressure washer helpline at **(800) 743-4115**.

▲ WARNING Risk of eye injury. Spray could splash back or propel objects resulting in serious injury. Always wear indirect vented (chemical splash) safety goggles marked to comply with ANSI Z87.1 when using or in vicinity of this equipment. NEVER substitute safety glasses or dry-condition goggles for indirect vented safety goggles.

1. Place the electric pressure washer near an outside water source capable of supplying water at a flow rate greater than 3 gallons per minute (11.4 l) and no less than 20 psi (1.38 bars) at the electric pressure washer end of garden hose. DO NOT siphon supply water.
2. Connect garden hose to water inlet.
3. Check that high pressure hose is tightly connected to spray gun. See *Connect Hoses and Water Supply* for illustrations.

NOTICE DO NOT run the pump without the water supply connected and turned on.

- Damage to equipment resulting from failure to follow this instruction will void warranty.
4. Turn ON water, point gun in a safe direction, press trigger lock button and squeeze trigger to purge pump system of air.
 5. Remove any dirt or foreign matter from spray tips. Install desired wand and spray tips onto spray gun. See *Connect Hoses and Water Supply* and *How to Use the Spray Tips* for details.
 6. Press the master ON/OFF switch **(A)** to the OFF (O) center position.

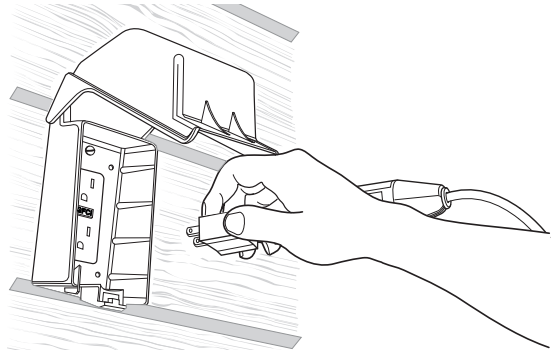


▲ WARNING Risk of electrocution. Use of an extension cord could cause electric shock or burn resulting in death or serious injury.

- DO NOT use an extension cord with this electric pressure washer. Your home's electrical circuit receptacle or extension cord may not provide lifesaving ground-fault circuit-interruption protection.

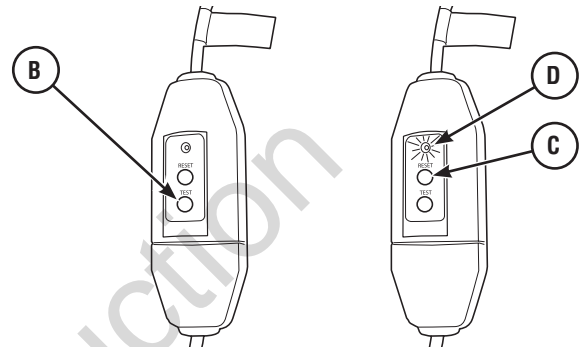
7. Plug electrical power cord into an electrical circuit rated for 120 Volts AC at 15 Amps that is properly installed and grounded in accordance with all local codes and ordinances. The indicator light on the GFCI should be ON.

▲ WARNING Risk of electrocution. Non-operating ground fault circuit interrupter (GFCI) could result in death or serious injury. If indicator light does not stay ON after test and reset, do not use GFCI.



NOTICE The indicator light must be ON for the electric pressure washer to operate.

8. Press TEST button **(B)**. The indicator light **(D)** should be OFF.



9. Press RESET button **(C)**. The indicator light **(D)** should be ON.

NOTICE DO NOT use the electric pressure washer if above test fails.

10. Press the master ON/OFF switch **(A)** to the Pressure Washer ON (—) position.

▲ WARNING Risk of kickback.

Spray gun could kickback causing you to fall resulting in death or serious injury.



- Operate the electric pressure washer from a stable surface.
- Be extremely careful if you must use the electric pressure washer from a ladder, scaffolding, or any other similar location.
- Firmly grasp spray gun with both hands when using power spray modes to avoid injury when spray gun kicks back.

11. Point gun in a safe direction, press trigger lock button and squeeze trigger. The electric pressure washer motor will start and stop as spray gun trigger is depressed and released.

The electric pressure washer is now ready for use. Instructions for use of the supplied accessories are given later in this section.

How to Stop Your Electric Pressure Washer

The electric pressure washer motor runs only when the trigger is engaged. To stop the electric pressure washer and turn off the motor:

1. Release spray gun trigger.
 2. Press the master ON/OFF switch to the OFF (O) position.
- NOTICE** Releasing the trigger will shut off the motor but does not shut off electrical power to the unit.
3. Turn off water supply.
 4. ALWAYS point spray gun in a safe direction and squeeze spray gun trigger to relieve built up pressure in the unit.

▲ WARNING The high pressure stream of water that this equipment produces could cut through skin and its underlying tissues, resulting in serious injury and possible amputation.

Spray gun traps high water pressure, even when motor is stopped and water is disconnected, which could result in serious injury.

- Keep high pressure hose connected to pump and spray gun while system is pressurized.
- ALWAYS point spray gun in safe direction, squeeze spray gun trigger to release high pressure, every time you turn off pressure washer.

5. Disconnect GFCI plug from outlet and coil power cord.
6. Flush detergent bottle (if used) by removing it from the pressure washer and pouring out all remaining solution.
7. Rinse detergent bottle out with fresh clean water and reinstall onto pressure washer.
8. Coil and store power cord, high pressure hose and accessories on the accessory tray. Store spray gun in clip on side of unit.

How to Use the Spray Tips

You should now be familiar with how to START and STOP your electric pressure washer. If not, please refer to the previous section to familiarize yourself with STARTING and STOPPING the system before continuing.

The quick-connect on the metal wand allows you to switch between three different quick connect spray tips. Spray tips can be changed while pressure washer is running once spray gun trigger lock is engaged. The spray tips vary the spray pattern as shown.

Follow these instructions to change spray tips:

1. Pull back collar on quick-connect and pull current spray tip off. Store spray tips in holder provided on the metal wand.

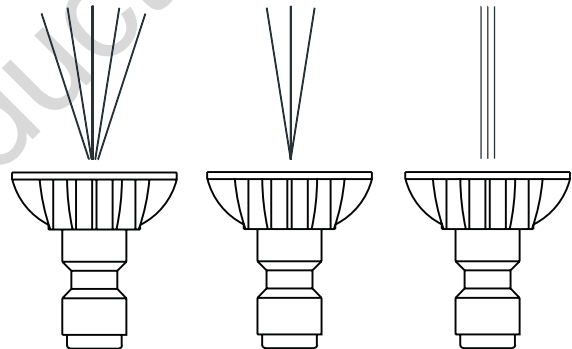
▲ WARNING The high pressure stream of water that this equipment produces could cut through skin and its underlying tissues, resulting in serious injury and possible amputation.

- NEVER exchange spray tips without the trigger lock being engaged on the spray gun.
- DO NOT twist spray tips while spraying.

2. Select desired spray tip:
 - For general rinse, select orange 15° spray tip.
 - To scour surface, select red 0° spray tip.
 - To apply detergent, select black spray tip.

Low Pressure

High Pressure



Black
Use to apply detergent

15° Orange
1300 PSI
1.3 GPM

0° Red
1700 PSI
1.0 GPM

3. Pull back on collar, insert new spray tip and release collar. Tug on spray tip to make sure it is securely in place.

Usage Tips

- For most effective cleaning, keep spray tip from 8 to 24 inches away from cleaning surface.
- If you get spray tip too close, especially using a high pressure spray tip, you may damage surface being cleaned.
- Do Not get closer than 6 inches when cleaning tires.

Applying Detergent

▲ **WARNING** Chemical Burn Hazard.

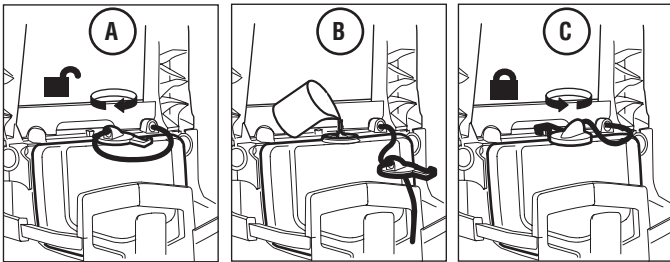


Chemicals could cause burns resulting in death or serious injury.

- Always wear indirect vented (chemical splash) safety goggles marked to comply with ANSI Z87.1 when using chemicals.
- DO NOT substitute safety glasses or dry-condition goggles for indirect vented safety goggles.
- DO NOT use caustic liquid with electric pressure washer.
- Use ONLY pressure washer safe detergents/soaps. Follow all manufacturers instructions.

To apply detergent, follow these steps:

1. Review use of spray tips shown in *How to Use the Spray Tips*.
2. Prepare your detergent solution as required by job to be performed.
3. Rotate detergent bottle cap (A) clockwise to release from retaining tab. Remove cap from detergent bottle (B).



4. Fill bottle with detergent solution (B).
5. Place suction hose and cap back into detergent bottle.
6. Rotate detergent bottle cap (C) counter-clockwise until it clicks onto retaining tab. Make sure that end of suction hose contacts bottom of bottle.
7. Make sure that black detergent spray tip is installed.

NOTICE Detergent cannot be applied with the high pressure spray tips (Orange or Red).

8. Make sure garden hose is connected to water inlet. Check that high pressure hose is connected to spray gun and pump. Turn on water.

NOTICE You must attach all hoses before you start the pressure washer.

9. Start the pressure washer as instructed in *How to Start Your Electric Pressure Washer*.
10. Apply detergent to a dry surface, starting at lower portion of area to be washed and work upward using long, even, overlapping strokes.
11. Allow detergent to “soak in” for 3-5 minutes before washing and rinsing. Reapply as needed to prevent surface from drying. To prevent streaking, Do Not allow detergent to dry on surface.

Electric Pressure Washer Rinsing

1. Remove black detergent spray tip from metal wand.
2. Select and install desired high pressure spray tip following instructions *How to Use Spray Tips*.
3. Keep spray gun a safe distance from area you plan to spray.

▲ **WARNING** Risk of kickback.



Spray gun could kickback causing you to fall resulting in death or serious injury.

- Operate the electric pressure washer from a stable surface.
 - Be extremely careful if you must use the electric pressure washer from a ladder, scaffolding, or any other similar location.
 - Firmly grasp spray gun with both hands when using power spray modes to avoid injury when spray gun kicks back.
4. Apply a high pressure spray to a small area and then check surface for damage. If no damage is found, you can assume it is okay to continue rinsing.
 5. Start at top of area to be rinsed, working down with same overlapping strokes as you used for cleaning.

Other Cleaning Tips


- NEVER leave the electric pressure washer unattended while it is plugged into an electrical outlet and while water is supplied to the equipment.
- If you have the spray tip too far away from the surface being washed, the cleaning may not be as effective.


How to Use the Electric Inflator Function

Grounding Instructions


This product must be grounded. If it should malfunction or breakdown, grounding provides a path of least resistance for electric current to reduce the risk of electric shock. This product is equipped with a cord having an equipment-grounding conductor and a grounding plug. The plug must be plugged into an appropriate outlet that is properly installed and grounded in accordance with all local codes and ordinances.

DANGER! – Improper connection of the equipment-grounding conductor can result in a risk of electrocution. Check with a qualified electrician or service personnel if you are in doubt as to whether the outlet is properly grounded. Do not modify the plug provided with the product – if it will not fit the outlet, have a proper outlet installed by a qualified electrician. Do not use any type of adaptor with this product.


 **WARNING** Failure to read and follow the operator's manual and all operating instructions before using could result in death, serious injury, and/or property damage.

 **WARNING** Risk of electrocution. Contacting both power conductors, at the same time could cause electric shock or burn resulting in death or serious injury.


- Connect only to properly grounded outlet. DO NOT remove ground pin.
- Inspect cord before using – DO NOT use if cord is damaged.
- Keep all connections dry and off the ground.
- DO NOT touch plug with wet hands.
- This product is equipped with a ground fault circuit interrupter (GFCI) built into the power cord plug. If replacement of the plug or cord is needed, use only identical replacement parts.

 **WARNING** Risk of bursting. High pressure air could result in death or serious injury.

- Follow manufacturer's instructions on items to avoid over inflation.
- Use only recommended air-handling parts acceptable for pressures not less than 250 PSI.
- Do not leave inflator unattended while running.
- Do not use at pressure greater than 100 PSI.
- Air pressure gauge for reference only.
- Always check items being inflated with a calibrated gauge to determine actual pressure.
- Inflating items 10 PSI or less, inflate using short bursts and check pressure with calibrated gauge.

 **WARNING** Risk of eye injury. High pressure air could result in serious injury.

- Always wear safety glasses marked to comply with ANSI Z87.1 when using or in vicinity of this equipment.

 **WARNING** Risk of fire. Using inflator for continuous use could result in serious injury.

- Allow inflator to cool 3 minutes for each 5 minutes of continuous use.

The electric inflator operates independent of the pressure washer; only the electrical power cord needs to be plugged-in as instructed in this section.

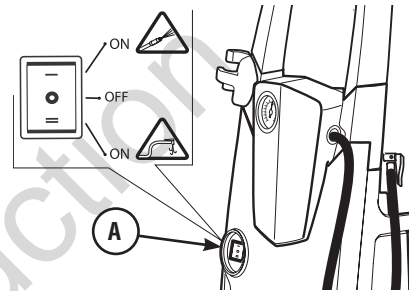
NOTICE Pump damage could result if inflator is used continuously for over 5 minutes. Let pump cool for 3 minutes before using again.

NOTICE DO NOT press the master ON/OFF switch (A) to the ON (—) position (pressure washer function) without the water supply connected and turned on.

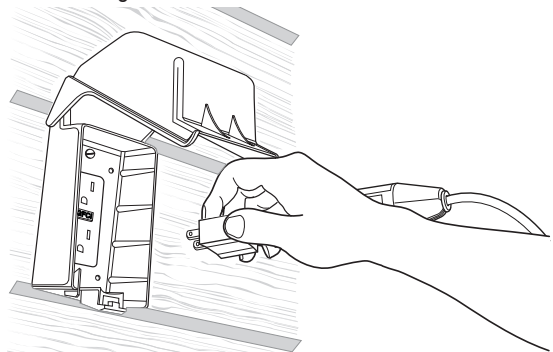
- Damage to equipment resulting from failure to follow this instruction will void warranty.

Follow these instructions to operate the electric inflator:

1. Press the master ON/OFF switch (A) to the OFF (O) center position.

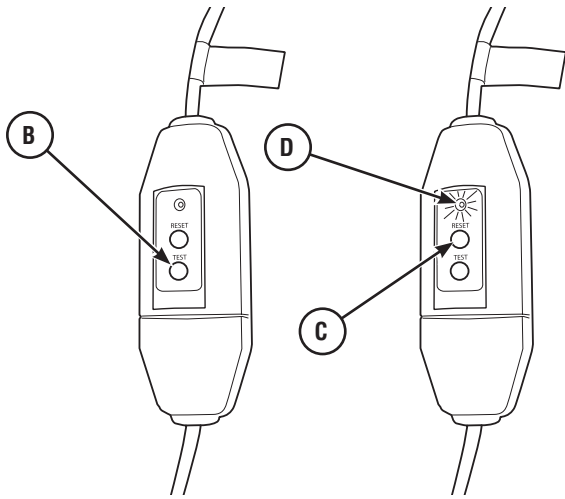


2. Plug electrical power cord into an electrical circuit rated for 120 Volts AC at 15 Amps that is properly installed and grounded in accordance with all local codes and ordinances. The indicator light on the GFCI should be ON.



NOTICE The indicator light must be ON for the electric inflator to operate.

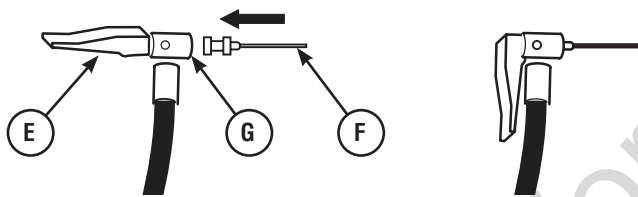
3. Press TEST button (B). The indicator light (D) should be OFF.



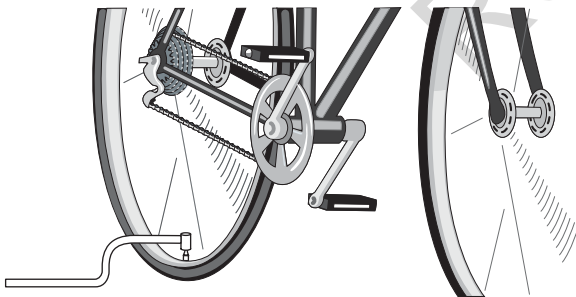
4. Press RESET button (C). The indicator light (D) should be ON.

NOTICE DO NOT use the electric inflator if above test fails.

5. The electric inflator comes equipped with three adapters. When an adapter is required to inflate an object, lift lever (E) and insert the appropriate adapter (F) into the inflator hose end (G). Move lever down to secure the adapter.



6. Press the master ON/OFF switch (A) to the *Inflator ON* (=) position.
 7. Insert adapter into the object to be inflated. When inflated, remove adapter and press the master ON/OFF switch (A) to the OFF (O) center position.
 8. When inflating tires, connect the inflator hose end directly to the tire stem. When inflated, remove inflator hose end and press the master ON/OFF switch (A) to the OFF (O) center position.



9. Disconnect GFCI plug from outlet and coil power cord.

Maintenance

General Recommendations

Regular maintenance will improve the performance and extend the life of the electric pressure washer.

The electric pressure washer's warranty does not cover items that have been subjected to operator abuse or negligence. To receive full value from the warranty, the operator must maintain the electric pressure washer as instructed in this manual, including proper storage.

NOTICE Should you have questions about replacing components on your electric pressure washer, please call **(800) 743-4115** for assistance.

Before Each Use

1. Clean debris.
2. Check water inlet screen for debris or damage.
3. Check high pressure hose for leaks.
4. Check detergent siphoning tube for damage.
5. Check spray gun operation.

Electric Pressure Washer Maintenance

Clean Debris

Daily or before use, clean accumulated debris from electric pressure washer. Inspect cooling air slots and openings on the front, rear and bottom of the electric pressure washer. These openings must be kept clean and unobstructed.

The electric pressure washer parts should be kept clean to reduce the risk of overheating and ignition of accumulated debris.

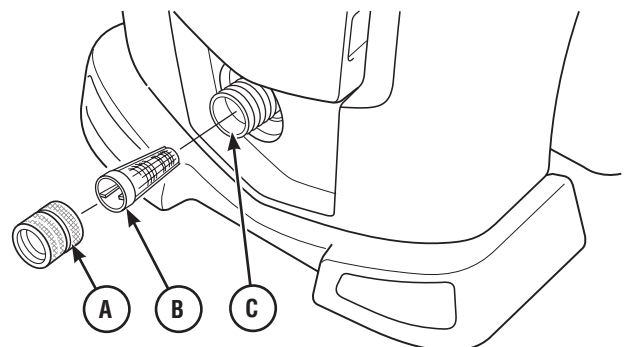
- Use a damp cloth to wipe exterior surfaces clean.

NOTICE Improper treatment of the electric pressure washer can damage it and/or shorten its life.

- DO NOT insert any objects through cooling slots.

Check and Clean Water Inlet Screen

Remove water inlet coupling (A). Then remove water inlet screen (B) from the unit's water inlet (C) using a needle nose pliers. Water inlet is located at bottom front of unit. Examine water inlet screen. If the screen is dirty, clean with a small brush and water. If the screen is damaged, replace it.



NOTICE If inlet screen is damaged or missing, DO NOT use electric pressure washer. Call **(800) 743-4115** for assistance.

Check High Pressure Hose

The high pressure hose can develop leaks from wear, kinking, or abuse. Inspect the hose each time before using it. Check for cuts, leaks, abrasions or bulging of cover, damage or movement of couplings. If any of these conditions exist, replace the hose immediately.

⚠ WARNING The high pressure stream of water that this equipment produces could cut through skin and its underlying tissues, resulting in serious injury and possible amputation.

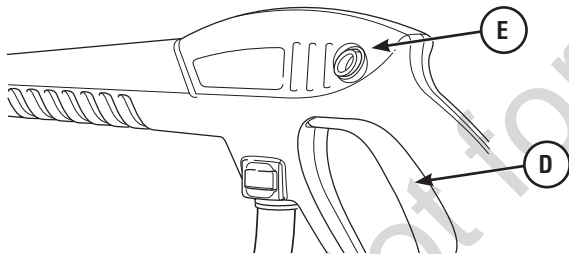
- NEVER repair high pressure hose; replace it.
- Replacement hose rating **MUST** equal or exceed maximum pressure rating of unit.

Check Detergent Siphoning Tube

Make sure tube connection is tight. Examine the tube for leaks or tears and replace if damaged.

Check Spray Gun

Examine the hose connection to the spray gun and make sure it is secure. Test the trigger (**D**) by pressing the trigger lock button (**E**) and making sure the trigger “springs back” into place when you release it. You should not be able to press the trigger without pressing the trigger lock button. Replace spray gun immediately if it fails any of these tests.



Spray Tip Maintenance

Excessive pump pressure can cause a pulsing sensation felt while squeezing the spray gun trigger. The principal cause of excessive pump pressure is a spray tip clogged or restricted with foreign materials such as dirt, etc. A clogged spray tip could lead to pump cycling ON/OFF or not turning on even when there is some flow.

To correct the problem, immediately clean the spray tip by following these instructions:

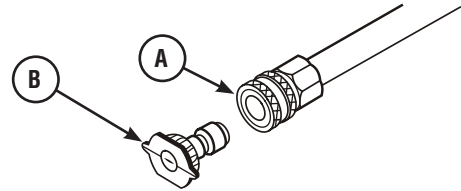
1. Press the master ON/OFF switch to the OFF (O) position. Remove power cord plug from electrical outlet.
2. Disconnect water supply at the electric pressure washer.
3. **ALWAYS** point spray gun in a safe direction, press trigger lock button and squeeze spray gun trigger to release retained high water pressure.

⚠ WARNING The high pressure stream of water that this equipment produces could cut through skin and its underlying tissues, resulting in serious injury and possible amputation.

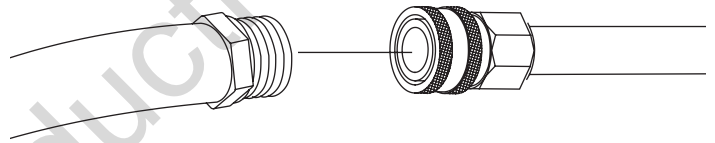
Spray gun traps high water pressure, even when motor is stopped and water is disconnected, which could result in serious injury.

- Keep high pressure hose connected to pump and spray gun while system is pressurized.
- **ALWAYS** point spray gun in safe direction, squeeze spray gun trigger to release high pressure, every time you turn off pressure washer.

4. Remove spray tip from end of metal wand (**A**).



5. Use the wire tip cleaner to free any foreign material clogging or restricting spray tip (**B**). The wire tip cleaner is stored at the lower back left of the unit.
6. Using a garden hose, remove additional debris by back flushing water through metal wand. Back flush between 30 to 60 seconds.



7. Reinstall spray tip into metal wand.
8. Reconnect metal wand to spray gun.
9. Make sure garden hose is connected to water inlet. Check that high pressure hose is connected to spray gun and pump. Turn on water.
10. Plug power cord into electrical outlet and press the master ON/OFF switch to the *Pressure Washer ON* (—) position.
11. Test the electric pressure washer by operating with each quick connect spray tip.

Pump and Motor Maintenance

The electric pressure washer does not require any maintenance to the pump or motor. Both assemblies are pre-lubricated and sealed, requiring no additional lubrication ever.

After Each Use

Water should not remain in the unit for long periods of time. Sediments or minerals can deposit on pump parts and “freeze” pump action. Follow these procedures after every use:

1. Turn off water supply, point gun in a safe direction, press trigger lock button and squeeze trigger to relieve trapped pressure.
2. Disconnect garden hose from the water supply and the electric pressure washer.
3. Disconnect hose from spray gun and high pressure outlet on pump. Drain water from hose, gun, and wand. Use a rag to wipe off the hose.
4. Drain water from pump by tipping unit on its front side (water inlet facing down).
5. Coil and store power cord, high pressure hose and accessories on the accessory tray. Store spray gun in clip on side of unit.
6. Store unit in a clean, dry area.
7. If storing for more than 30 days see Winter or Long Term Storage on next page.

Winter or Long Term Storage

Water should not remain in the unit for long periods of time. Sediments or minerals can deposit on pump parts and “freeze” pump action.

Initial Storage Procedures

1. Flush detergent bottle by removing it from unit and pouring out all remaining solution.
2. Rinse detergent bottle out with fresh clean water.
3. Run the electric pressure washer with the (red) high pressure spray tip. Flush for one or two minutes.
4. Press the master ON/OFF switch to the OFF (O) position. Remove power cord plug from electrical outlet.
5. Turn off water supply. Point gun in a safe direction, press trigger lock button and squeeze trigger to relieve trapped pressure. After a few moments, release trigger on spray gun.
6. Disconnect garden hose from the water supply and the electric pressure washer. Disconnect pressure hose from the pump and the spray gun.
7. Drain water from hoses and spray gun, then use a cloth or equivalent to wipe off all exterior surfaces.
8. Ensure that inlet and outlet hoses are disconnected from the pump. Then drain water from pump by tipping unit on its front side (water inlet facing down).

NOTICE Water left in the pump could freeze and damage the pump.

Protecting the Pump

To protect the pump from damage caused by mineral deposits or freezing, use PumpSaver, Model 6039, to treat pump. This prevents freeze damage and lubricates plunger and seals.

NOTICE PumpSaver is available as an optional accessory. It is not included with the electric pressure washer. Contact the nearest authorized service center to purchase Pump Saver.

NOTICE You must protect your unit from freezing temperatures.

- Failure to do so will permanently damage your pump and render your unit inoperable.
- Freeze damage is not covered under warranty.

To use PumpSaver, make sure the electric pressure washer is turned off and inlet and outlet hoses are disconnected. Read and follow all instructions and warnings given on the PumpSaver container.

Final Storage Procedures

1. Coil and store power cord, high pressure hose and accessories on the accessory tray. Store spray gun in clip on side of unit.
2. Reinstall detergent bottle onto unit.
3. Store unit in a clean, dry area that is protected from freezing temperatures.
4. Cover unit with a suitable protective cover that does not retain moisture.

Troubleshooting

Problem	Cause	Correction
<p>Pump has following problems: failure to produce pressure, erratic pressure, chattering, loss of pressure, low water volume.</p>	<ol style="list-style-type: none"> 1. Water inlet is blocked. 2. Inadequate water supply. 3. Garden hose is kinked or leaking. 4. Clogged water inlet screen. 5. Water supply is over 100°F (38°C). 6. High pressure hose is blocked or leaks. 7. Spray tip is obstructed. 8. Pump is faulty. 	<ol style="list-style-type: none"> 1. Clear inlet. 2. Provide adequate water flow. 3. Straighten garden hose or replace if leaking. 4. Check and clean water inlet screen. 5. Provide cooler water supply. 6. Clear blocks in high pressure hose or replace hose. 7. Clean spray tip. 8. Contact Briggs & Stratton customer service.
<p>Unit fails to start when spray gun trigger is squeezed.</p>	<ol style="list-style-type: none"> 1. Water supply is not turned on. 2. Unit is not plugged in. 3. Unit is not turned on. 4. Garden hose is too long. 	<ol style="list-style-type: none"> 1. Turn on water supply. 2. Plug electrical power cord into an electrical circuit rated for 120 Volts AC at 15 Amps that is properly installed and grounded in accordance with all local codes and ordinances. 3. Press the master ON/OFF switch to the <i>Pressure Washer</i> ON (—) position. Reset GFCI. 4. Use only 50 ft. (15.24 m) maximum garden hose.
<p>Detergent fails to mix with spray.</p>	<ol style="list-style-type: none"> 1. Siphon tube is clogged or cracked. 2. Siphon tube is not fully inserted in detergent bottle. 3. High pressure spray tip installed. 	<ol style="list-style-type: none"> 1. Clean or replace siphon tube. 2. Insert siphon tube so that end contacts bottom of detergent bottle. 3. Replace with low pressure (black) spray tip.
<p>Compressor motor fails to start.</p>	<ol style="list-style-type: none"> 1. Unit is not plugged in. 2. Unit is not turned on. 3. Compressor motor is faulty. 	<ol style="list-style-type: none"> 1. Plug electrical power cord into an electrical circuit rated for 120 Volts AC at 15 Amps that is properly installed and grounded in accordance with all local codes and ordinances. 2. Press the master ON/OFF switch to the <i>Inflator</i> ON (=) position. Reset GFCI. 3. Contact Briggs & Stratton customer service.

BRIGGS & STRATTON POWER PRODUCTS GROUP, LLC PRESSURE WASHER OWNER WARRANTY POLICY

Effective November 1, 2012 - replaces all undated Warranties and Warranties dated before November 1, 2012.

LIMITED WARRANTY

Briggs & Stratton Power Products Group, LLC will repair or replace, free of charge, any part(s) of the pressure washer that is defective in material or workmanship or both. Transportation charges on product submitted for repair or replacement under this warranty must be borne by purchaser. This warranty is effective for the time periods and subject to the conditions stated below. For warranty service, contact Briggs & Stratton Customer Service by phone at (800) 743-4115, or on the internet at BRIGGSandSTRATTON.COM.

There is no other express warranty. Implied warranties, including those of merchantability and fitness for a particular purpose, are limited to one year from purchase, or to the extent permitted by law. All other implied warranties are excluded. Liability for incidental or consequential damages are excluded to the extent exclusion is permitted by law. Some states or countries do not allow limitations on how long an implied warranty lasts, and some states or countries do not allow the exclusion or limitation of incidental or consequential damages, so the above limitation and exclusion may not apply to you. This warranty gives you specific legal rights and you may also have other rights which vary from state to state or country to country.**

WARRANTY PERIOD

Consumer Use	1 year
Commercial Use	None

** In Australia - Our goods come with guarantees that cannot be excluded under the Australian Consumer Law. You are entitled to a replacement or refund for a major failure and for compensation for any other reasonably foreseeable loss or damage. You are also entitled to have the goods repaired or replaced if the goods fail to be of acceptable quality and the failure does not amount to a major failure. For warranty service, find the nearest Authorized Service Dealer in our dealer locator map at BRIGGSandSTRATTON.COM, or by calling 1300 274 447, or by emailing or writing to salesenquires@briggsandstratton.com.au, Briggs & Stratton Australia Pty Ltd, 1 Moorebank Avenue, NSW, Australia, 2170.

The warranty period begins on the date of purchase by the first retail end user, and continues for the period of time stated above. "Consumer Use" means personal residential household use by a retail consumer. "Commercial Use" means all other uses, including use for commercial, income producing or rental purposes. Once equipment has experienced commercial use, it shall thereafter be considered as commercial use for purposes of this warranty. Equipment used for prime power in place of utility are not applicable to this warranty.

NO WARRANTY REGISTRATION IS NECESSARY TO OBTAIN WARRANTY ON BRIGGS & STRATTON PRODUCTS. SAVE YOUR PROOF OF PURCHASE RECEIPT. IF YOU DO NOT PROVIDE PROOF OF THE INITIAL PURCHASE DATE AT THE TIME WARRANTY SERVICE IS REQUESTED, THE MANUFACTURING DATE OF THE PRODUCT WILL BE USED TO DETERMINE THE WARRANTY PERIOD.

ABOUT YOUR WARRANTY

We welcome warranty repair and apologize to you for being inconvenienced. Most warranty repairs are handled routinely, but sometimes requests for warranty service may not be appropriate. For example, warranty service would not apply if equipment damage occurred because of misuse, lack of routine maintenance, shipping, handling, warehousing or improper installation. Similarly, the warranty is void if the manufacturing date or the serial number on the pressure washer has been removed or the equipment has been altered or modified. During the warranty period, Briggs & Stratton, at its option, will repair or replace any part that, upon examination, is found to be defective under normal use and service. This warranty will not cover the following repairs and equipment:

- **Normal Wear:** Outdoor Power Equipment, like all mechanical devices, needs periodic parts and service to perform well. This warranty also does not cover normal maintenance such as filters, adjustments, cleaning and obstruction (due to chemical, lime, dirt, and so forth).
 - **Installation and Maintenance:** This warranty does not apply to equipment or parts that have been subjected to improper or unauthorized installation or alteration and modification, misuse, negligence, accident, overloading, overspeeding, improper maintenance, repair or storage so as, in our judgment, to adversely affect its performance and reliability. This warranty also does not cover normal maintenance such as filters, adjustments, chemical system cleaning and obstruction (due to chemical, lime, dirt, and so forth).
 - **Other Exclusions:** This warranty excludes wear items such as quick couplers, seals, o-rings, pumps that have been run without water supplied or damage or malfunctions resulting from accidents, abuse, modifications, alterations, or improper servicing or freezing or chemical deterioration. Accessory parts, such as guns, hoses, nozzle extensions (wands), and nozzles, are excluded from the product warranty. This warranty excludes used, reconditioned, and demonstration equipment and failures due to acts of God and other force majeure events beyond the manufacturers control.
- 206457E, Rev. C, 10/23/2012

BRIGGS & STRATTON POWER PRODUCTS GROUP, LLC
MILWAUKEE, WI, USA



Briggs & Stratton Electric Pressure Washer

Product Specifications

Outlet Pressure 1700 PSI (117.2 BARS)*
Flow Rate 1.3 GPM (4.9 LPM)*
Detergent Mix..... See MFR's Instructions
Water Supply Temperature..... Not to exceed 100°F (38°C)
Motor Universal (brush) Type
Rated Voltage 120 Volts AC
Current 12.5 Amps

* This pressure washer is rated in accordance to the Pressure Washer Manufacturers Association (PWMA) standard PW101-2010 (Testing and Rating Performance of Pressure Washers).

Not for
Reproduction

Briggs & Stratton Power Products Group, LLC
P.O. Box 702
Milwaukee, Wisconsin, 53201-0702 U.S.A.



Limpiadora a presión eléctrica
MANUAL DEL OPERARIO



Not for
Repro



Esta limpiadora a presión está clasificada conforme a la norma PW101-2010 (comprobación y clasificación de rendimiento de limpiadoras a presión) de la Asociación de fabricantes de bombas a presión (Pressure Washer Manufacturers Association, PWMA).

BRIGGS & STRATTON POWER PRODUCTS GROUP, LLC
MILWAUKEE, WISCONSIN, EE. UU.

Gracias por haber adquirido esta limpiadora a presión eléctrica de calidad de Briggs & Stratton®. Le agradecemos la confianza que ha depositado en la marca Briggs & Stratton. Si se maneja y se realiza el mantenimiento adecuado, tal y como se indica en este manual, su limpiadora a presión eléctrica Briggs & Stratton le proporcionará años de funcionamiento fiable.

Este manual contiene información de seguridad para advertirle sobre los peligros y riesgos asociados con las limpiadoras a presión eléctricas y cómo evitarlos. Debido a que Briggs & Stratton no conoce todas las aplicaciones que se pueden dar a esta limpiadora a presión eléctrica, es importante que lea y entienda estas instrucciones completamente antes de intentar hacer funcionar el equipo.

Conserve estas instrucciones originales para consultarlas en el futuro.

Debe montar esta limpiadora a presión eléctrica antes de utilizarla. Consulte la sección de *Montaje* de este manual para obtener instrucciones sobre el procedimiento de montaje final. Siga las instrucciones al pie de la letra.

Dónde encontrarnos

Si requiere asistencia con la instalación o respuestas inmediatas sobre la operación de su modelo, comuníquese con nosotros al número gratuito **(800) 743-4115**, de lunes a viernes de 8:00 a. m. a 5:00 p.m., Tiempo del Centro.

Limpiadora a presión eléctrica

Número de modelo

Revisión

Número de serie

Fecha de compra

Not for
Reproduction

Copyright © 2013. Briggs & Stratton Power Products Group, LLC
Milwaukee, WI, EEUU. Reservados todos los derechos.
Briggs & Stratton Power Products son una marca comercial
registrada de Briggs & Stratton Corporation
Milwaukee, WI, EE. UU.

Tabla de Contenido

Seguridad del usuario	4
Descripción del equipo.	4
Información de seguridad importante	4
Montaje	7
Desembale la limpiadora a presión eléctrica	7
Antes del funcionamiento.	7
Montaje de la unidad principal.	8
Lubrique las juntas tóricas.	9
Conecte las mangueras y el suministro de agua	10
Conexión de la varilla y extremos del pulverizador	10
Lista de verificación previa al arranque del motor de la bomba.	11
Servicio a un aparato con doble aislamiento	11
Características y controles	12
Funcionamiento	13
Cómo arrancar la limpiadora a presión eléctrica	13
Cómo detener la limpiadora a presión eléctrica	14
Cómo utilizar los extremos del pulverizador	14
Cómo aplicar detergente	15
Enjuagar la limpiadora a presión eléctrica	15
Cómo usar la función de inflador eléctrico	16
Mantenimiento	17
Recomendaciones Generales	17
Mantenimiento de la limpiadora a presión eléctrica.	17
Mantenimiento del extremo del pulverizador	18
Mantenimiento de la bomba y del motor	18
Después de cada utilización.	19
Almacenamiento en invierno o durante largos períodos	19
Procedimientos iniciales de almacenamiento.	19
Protección de la bomba	19
Procedimientos para el almacenamiento final	19
Resolución de problemas	20
Garantía	21
Especificaciones del producto	22

Seguridad del usuario

CONSERVE ESTAS INSTRUCCIONES

Descripción del equipo

▲ ADVERTENCIA Si no se leen ni se siguen las indicaciones del manual del operario y todas las instrucciones antes de usar el aparato, se pueden producir daños materiales, lesiones graves y/o incluso la muerte.

- Lea este manual detenidamente y familiarícese con la limpiadora a presión eléctrica. Conozca sus aplicaciones, sus limitaciones y cualquier peligro asociado.

La limpiadora a presión eléctrica funciona a 1700 psi (117,2 bares) a una velocidad de flujo de 1,3 galones por minuto (4,9 litros por minuto).

Hemos hecho todo lo posible para asegurarnos de que la información de este manual sea precisa y esté actualizada. No obstante, nos reservamos el derecho a cambiar, modificar o mejorar el producto y este documento en cualquier momento y sin previo aviso.

Circuitos protegidos con interruptores a tierra

Este producto debe ser conectado adecuadamente a tierra. Esta arandela de presión se proporciona con un circuito protegido con interruptores a tierra (GFCI) integrado en el enchufe del cable de alimentación. Este dispositivo aporta una mayor protección frente al riesgo de descarga eléctrica. En el caso de que sea necesario sustituir el enchufe o el cable, utilice piezas de repuestos exactamente idénticas que dispongan de protección GFCI.

Apagado automático

La limpiadora a presión eléctrica está equipada con un sensor que detectará si el flujo de agua se detuvo al activar o bloquear el gatillo de la pistola pulverizadora. El sensor hará que el motor se apague siempre que el gatillo de la pistola pulverizadora se active o bloquee.

Si el motor continúa en funcionamiento cuando se activa o bloquea el gatillo de la pistola pulverizadora, **NO USE LA MÁQUINA**. Llame al teléfono de ayuda de la limpiadora a presión eléctrica: **(800) 743-4115** para obtener asistencia.

AVISO La limpiadora a presión eléctrica está equipada con un interruptor de encendido/apagado de la alimentación principal. El interruptor siempre debe estar en la posición de apagado (O) cuando no se usa la limpiadora a presión eléctrica para evitar probables daños.

Sobrecarga del motor

El motor eléctrico de esta limpiadora a presión eléctrica está equipado con un dispositivo de protección por sobrecarga (termostato). Este dispositivo apagará automáticamente el motor si este se recalienta o utiliza corriente en exceso.

Si se activa el dispositivo de protección por sobrecarga, desconecte la alimentación. Para ello, coloque el interruptor principal de encendido/apagado en la posición de apagado (O). Deje que la unidad se enfríe durante 30 minutos. Luego, coloque el interruptor principal de encendido/apagado en la posición de encendido (—) para continuar con el funcionamiento.

Información de seguridad importante

Lea y comprenda todo el manual antes de armar, hacer funcionar o realizar operaciones de reparación/mantenimiento en el producto. Siga las instrucciones de mantenimiento especificadas en este manual. Si tiene alguna pregunta relacionada con este producto, por favor, póngase en contacto con el servicio de atención llamando al cliente al **(800) 743-4115**, de lunes a viernes, de 8.00 a 17.00, CST.

Símbolos de seguridad y significados



Manual del Operario



Descarga eléctrica



Fuego



Superficie resbaladiza



Caída



Inyección Líquida



Proyectil



Objetos propulsados



Reventón



Quemadura química

▲ El símbolo de alerta de seguridad indica un riesgo de lesiones personales. Se usan palabras de advertencia (PELIGRO, ADVERTENCIA o PRECAUCIÓN) como símbolos de alerta para designar el nivel de gravedad de los peligros. El símbolo de seguridad puede usarse para representar el tipo de peligro. La palabra de advertencia AVISO se usa para referirse a prácticas no relacionadas con lesiones personales.

▲ **PELIGRO** indica un peligro que, si no se evita, *ocasionará* la muerte o una lesión grave.

▲ **ADVERTENCIA** indica un peligro que, si no se evita, *podría ocasionar* la muerte o una lesión grave.

▲ **PRECAUCIÓN** indica un peligro que, si no se evita, *podría ocasionar* en lesión leve o moderada.

AVISO se refiere a prácticas no relacionadas con lesiones personales.

Para obtener instrucciones sobre cómo realizar la conexión a tierra, consulte la sección de montaje.



▲ ADVERTENCIA Riesgo de electrocución. El uso de un cable prolongador podría provocar electrocución y quemaduras, y tener como resultado lesiones graves o la muerte.

- **NO** utilice un cable prolongador con esta limpiadora a presión eléctrica. Es posible que la toma eléctrica residencial o el cable prolongador no le brinde protección con interrupción de circuito de fallo de conexión a tierra, crucial para la vida de una persona.

▲ ADVERTENCIA Riesgo de lesiones oculares o corporales. La pistola puede salpicar, empujar objetos o provocar daños internos que ocasionen una lesión grave.



- Cuando utilice o esté cerca de este dispositivo, colóquese gafas de seguridad con ventilación indirecta (salpicadura química) que cumplan con la disposición ANSI Z87.1. NUNCA reemplace las gafas de seguridad o las gafas para tareas secas por gafas de seguridad con ventilación indirecta.
- Saber cómo detener la limpiadora a presión y eliminar la presión rápidamente. Estar perfectamente familiarizado con los controles.
- NO permita a los NIÑOS utilizar la limpiadora a presión eléctrica.
- No permita la presencia de personas en el área de uso.
- Antes de cada uso, revise la manguera a alta presión. NUNCA repare la manguera a alta presión; cámbiela.
- NO repare pérdidas con ningún tipo de sellador; cambie las juntas tóricas y obturadoras.
- Mientras el sistema esté presurizado, mantenga la manguera conectada a la limpiadora y a la pistola pulverizadora.
- SIEMPRE apunte la pistola pulverizadora en una dirección segura mientras el sistema esté presurizado y apriete el gatillo de la pistola para liberar la presión alta cada vez que apague el dispositivo.
- NO apunte a personas o animales con la pistola pulverizadora.
- NO beba de los accesorios conectados a la manguera.
- NO fije la pistola pulverizadora en la posición de abierto.
- NO descuide la pistola pulverizadora mientras la limpiadora a presión se encuentra en la posición de encendido (—).
- NO utilice una pistola pulverizadora que no tenga una traba o un bloqueador de gatillo en su lugar y que funcione correctamente.
- Siempre asegúrese de que la pistola pulverizadora y los accesorios estén colocados correctamente.
- Manténgase alerta: preste atención a lo que hace.
- NO utilice el dispositivo si está cansado o bajo la influencia de alcohol o drogas.
- Cuando se usa este producto cerca de niños es necesario realizar una supervisión cercana.

▲ ADVERTENCIA El chorro de agua de alta presión que produce esta unidad podría generar cortes en la piel y tejidos subcutáneos, lo cual provocaría lesiones graves o una posible amputación.



- La pistola pulverizadora contiene agua a alta presión incluso cuando el motor está detenido y el suministro de agua desconectado. Esto podría provocar lesiones graves.
- NUNCA apunte a personas, animales o plantas con la pistola pulverizadora.
 - SIEMPRE apunte la pistola pulverizadora en una dirección segura, apriete el gatillo de la pistola para liberar la presión alta cada vez que apague la limpiadora a presión.

▲ ADVERTENCIA Riesgo de electrocución. Poner en contacto al mismo tiempo ambos conductores de energía podría provocar una descarga eléctrica o incendio que causen muertes o lesiones graves.



- Conectarla solo a un toma corriente con una buena descarga a tierra. NO quite el terminal de tierra del enchufe.
- Compruebe que el cable esté en buenas condiciones antes de usar la unidad. NO la utilice si el cable está dañado.
- El producto cuenta con un interruptor del circuito de fallo a tierra (GFCI) que se encuentra en el cable del enchufe. Si es necesario reemplazar el enchufe o el cable, reemplácelos exclusivamente por piezas de repuesto idénticas.
- Mantenga todas las conexiones secas y lejos del suelo.
- NO toque el enchufe con las manos mojadas.
- NO pase el cable por entradas, ventanas, orificios en los techos, paredes o pisos.
- NO pise el cable.
- NO aplaste, arrastre o coloque objetos sobre el cable.
- NO moje el área cercana a la fuente de energía.

▲ ADVERTENCIA Peligro de quemaduras químicas




- Los productos químicos pueden provocar quemaduras que produzcan la muerte o lesiones graves.
- Cuando utilice productos químicos, colóquese gafas de seguridad con ventilación indirecta (salpicadura química) que cumplan con la disposición ANSI Z87.1.
 - NO reemplace las gafas de seguridad o las gafas para tareas secas por gafas de seguridad con ventilación indirecta.
 - NO utilice líquido cáustico con la limpiadora a presión eléctrica.
 - SOLO utilice detergentes/jabones seguros para la limpiadora a presión. Siga todas las instrucciones del fabricante.


▲ ADVERTENCIA Cuando se utiliza la limpiadora a presión, se pueden formar charcos de agua y las superficies pueden volverse resbaladizas.



- Riesgo de sufrir contragolpe. La pistola pulverizadora puede generar un rebote y esto puede hacer que usted se caiga, lo cual podría provocarle la muerte o lesiones graves.
- Utilice la limpiadora a presión eléctrica desde una superficie estable.
 - No la sobreexija ni la coloque en un lugar inestable. Manténgala siempre en equilibrio.
 - El área de limpieza debe tener declives y drenajes apropiados para disminuir la posibilidad de una caída debido a las superficies resbaladizas.
 - Tenga mucho cuidado en caso de que deba utilizar la limpiadora a presión eléctrica parado sobre una escalera, andamio o alguna ubicación similar.
 - Agarre la pistola pulverizadora con ambas manos cuando utilice los distintos modos de pulverización para evitar lesiones cuando la pistola pulverizadora rebota.

 **ADVERTENCIA** Riesgo de incendio. Rociar líquidos inflamables puede provocar la muerte o lesiones graves.


- NO rocíe líquidos inflamables.

 **ADVERTENCIA** Riesgo de incendio. El sobrecalentamiento del cable puede provocar la muerte o lesiones graves.

- Desenrosque el cable por completo antes de utilizarlo.
- NO cubra el cable con ningún material.

 **ADVERTENCIA** Riesgo de reventón. El aire a alta presión puede ocasionar la muerte o lesiones graves.

- Siga las instrucciones del fabricante para evitar un inflado excesivo.
- Utilice exclusivamente piezas para controlar el aire recomendadas y aceptables para presiones no inferiores a 250 PSI.
- Vigile en todo momento el inflador mientras esté en funcionamiento.
- No utilice una presión superior a los 100 PSI.
- El medidor de presión del aire sólo debe usarse a modo de referencia.
- Revise siempre los elementos que infle con un medidor calibrado para conocer la presión real.
- Para inflar elementos con 10 PSI o menos, utilice intervalos de inflado cortos y revise la presión con un medidor calibrado.

 **ADVERTENCIA** Este producto contiene plomo y compuestos del plomo, que, como se ha estudiado en el estado de California, Estados Unidos, pueden provocar defectos a bebés u otros daños relacionados con la reproducción. *Lávese las manos después de manipular este producto.*

AVISO El pulverizador de alta presión puede dañar objetos frágiles, incluso cristales.

- NO dirija la pistola rociadora hacia un cristal cuando utilice la punta de rocío de roja de 0°.
- NUNCA apunte a las plantas con la pistola pulverizadora.

AVISO Si maneja de manera incorrecta la limpiadora a presión eléctrica, podría dañarla y acortar su vida útil.

- Si tiene preguntas sobre el uso de la máquina, consulte a su vendedor o póngase en contacto con un centro de servicio autorizado.
- NO haga funcionar las unidades con piezas rotas o sin algunas piezas, o sin usar cubiertas de protección.
- NO omita usar ningún dispositivo de seguridad en la limpiadora a presión eléctrica.
- NO modifique la limpiadora a presión eléctrica.
- Antes de arrancar la limpiadora a presión eléctrica en climas muy fríos, revise todas las piezas del equipo para asegurarse de que no estén cubiertas de hielo.
- NO tire de las mangueras para mover la limpiadora a presión eléctrica. Mueva la unidad desde la manija de transporte provista.
- SOLO use accesorios de marca que hayan sido fabricados para este producto.

Montaje



Lea todo el manual del operador antes de intentar armar o hacer funcionar su limpiadora a presión eléctrica nueva.

Deberá armar la limpiadora a presión eléctrica, pero no tardará mucho en poder tenerla lista para usarla. Si tiene problemas con el ensamblado de la limpiadora a presión eléctrica, por favor, llame al número de teléfono de ayuda de la limpiadora a presión eléctrica **(800) 743-4115**. Si solicita asistencia, tenga a mano el número de modelo, de revisión y de serie que puede ver en la etiqueta de identificación.

Herramientas necesarias

- Destornillador Phillips, n.º 2
- Alicates de punta de aguja

Elementos no incluidos

- Manguera para jardín

Desembale la limpiadora a presión eléctrica

1. Saque todos los elementos de la caja.
2. Asegúrese de tener todos los elementos que se incluyen antes de ensamblarla.

Artículos incluidos en la caja

- Unidad principal
- Manejo
- Bandeja para accesorios
- Ruedas (2)
- Tanque de detergente
- Base de estabilidad
- Tornillos (6)
- Pistola pulverizadora
- Manguera a alta presión
- Varilla turbo
- Varilla de metal (1) y extremos (3)
- Bolsa de piezas (que incluye lo siguiente):
 - Juntas tóricas de repuesto: 2 para la pistola pulverizadora; 2 grandes y 2 pequeñas para la manguera a alta presión
 - Manual del usuario
 - Tarjeta de registro del propietario

Revise todo el contenido. Si falta alguna de las piezas o alguna está dañada; llame a la línea de ayuda de la limpiadora a presión eléctrica: **(800) 743-4115**.

Familiarícese con todos los componentes antes de armar la limpiadora a presión eléctrica. Identifique los contenidos con la ilustración que se muestra en *Características y controles*.

Antes del funcionamiento

1. Por favor, complete y envíe la tarjeta de registro.
2. Lea y cumpla con las siguientes instrucciones, y preste atención a las advertencias y avisos.

AVISO SOLO realice la conexión a una fuente de agua capaz de suministrar un mínimo de 3 gpm (11,4 L) y no menos de 20 psi (1,38 bares) al extremo de la limpiadora a presión eléctrica de la manguera para jardín. Revise todo el equipo, las mangueras y los accesorios completamente antes de cada uso. NO los use si están dañados.

- SOLO use accesorios de marca que hayan sido fabricados para este producto.
- Para obtener un funcionamiento óptimo, NO use una manguera para jardín de más de 50 ft (15 m) de largo.
- Reemplace solo con piezas originales.
- Para hacer un pedido, llame al **(800) 743-4115** o visite BRIGGSandSTRATTON.COM.

Montaje de la unidad principal

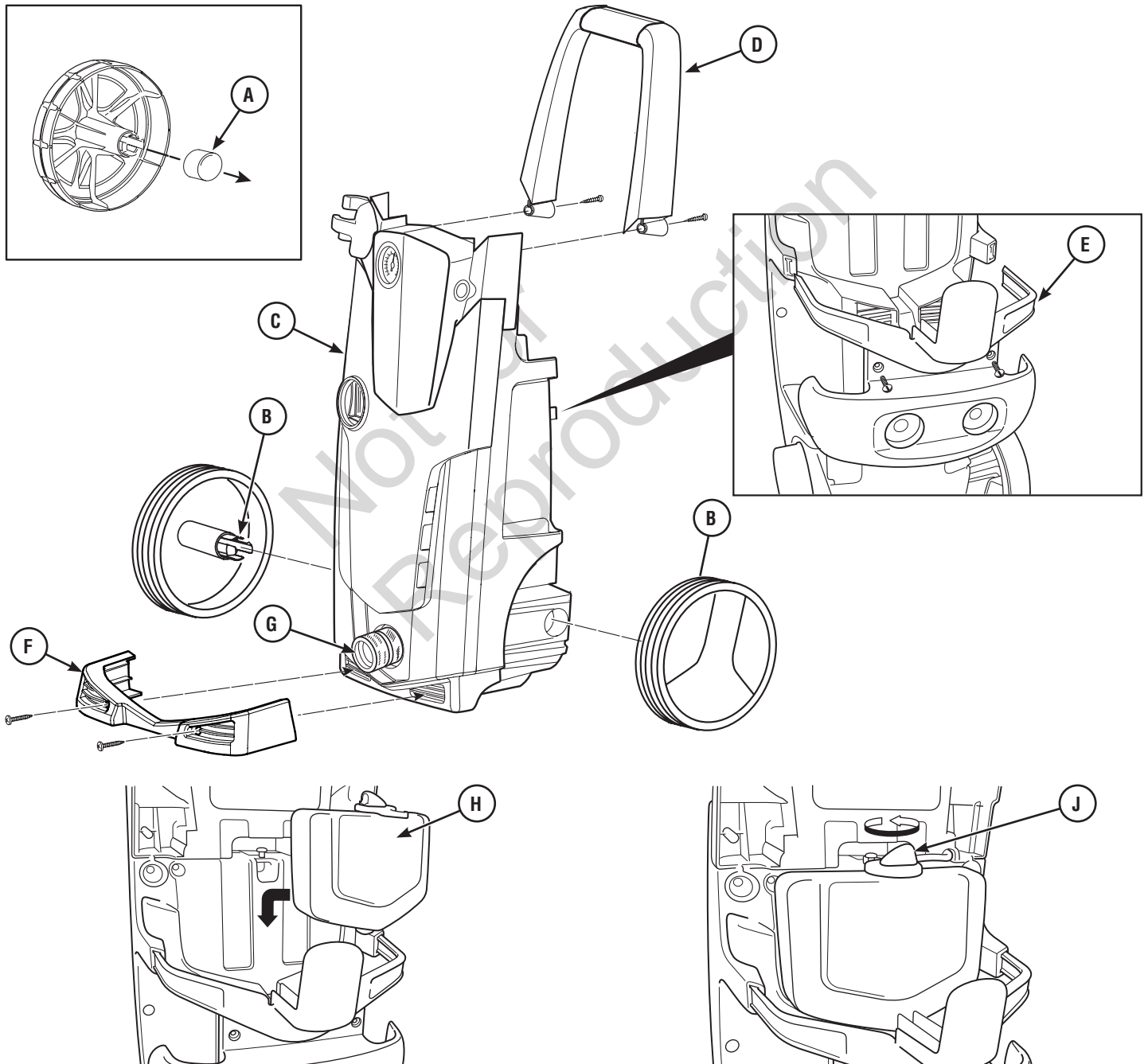
Al realizar los siguientes procedimientos de montaje, preste atención a los gráficos que aparecen al final de esta página.

1. Quite y deseche la tapa de protección (A) de cada eje de rueda.

AVISO Durante el envío, las lengüetas de rueda pueden comprimirse hacia dentro. En ese caso, abra las lengüetas suavemente hacia fuera.

2. Deslice los ejes de las ruedas (B) hasta los agujeros situados a los lados de la unidad principal (C). Las ruedas estarán instaladas correctamente cuando oiga un CLIC y estén fijadas en su lugar.
3. Coloque la manija (D) en las ranuras en la parte superior de la unidad principal. Coloque dos (2) tornillos para fijar la manija a la unidad principal.

4. Deslice la bandeja para accesorios (E) en las ranuras de la parte trasera de la unidad. Coloque dos (2) tornillos para fijar la bandeja para accesorios en la unidad principal.
5. Coloque la base de estabilidad (F), si la tiene, y ajústela con dos tornillos.
6. Confirme que la junta de goma negra (G) está instalada en la entrada del agua situada en la parte delantera inferior de la unidad.
7. Coloque la botella de detergente (H) en el estante situado en la parte trasera de la unidad.
8. Gire el tapón de la botella de detergente (J) hacia la izquierda hasta que haga clic en la lengüeta de sujeción. Asegúrese de que el extremo de la manguera de succión esté en contacto con la parte inferior de la botella.



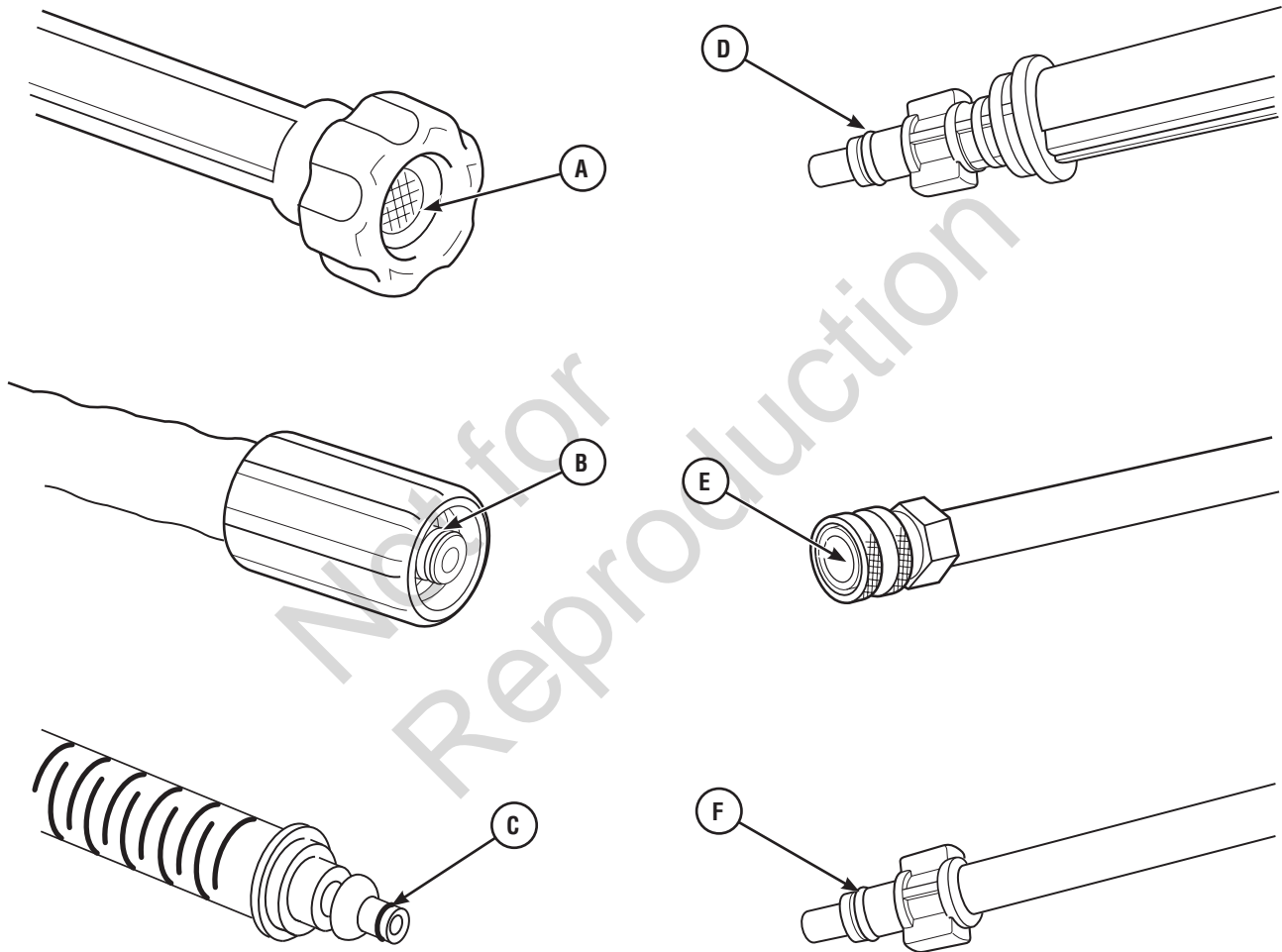
Lubrique las juntas tóricas

La lubricación de las juntas tóricas es extremadamente importante para la instalación y el funcionamiento. El uso de un lubricante (grasa lubricante o sintética) durante el montaje ayuda a que las juntas tóricas se asienten correctamente y ofrece un mejor sellado. También ayuda a evitar que la junta tórica resulte dañada por abrasión, pellizcado o cortes, y aumenta la vida útil de la junta tórica.

AVISO SIEMPRE aplique una pequeña cantidad de lubricante en las juntas tóricas antes de conectar la manguera para jardín a la bomba (A), a la manguera a alta presión (extremo de la bomba) (B), a la manguera a alta presión (extremo de la pistola) (C), a la varilla turbo (extremo de la pistola) (D), a la varilla de metal (extremo del pulverizador) (E) y a la varilla de metal (extremo de la pistola) (F).

Lubrique todas las conexiones mostradas debajo. Para ello, siga estas instrucciones:

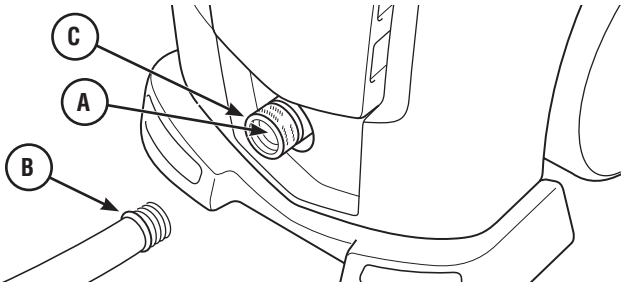
1. Revise y limpie las superficies de conexión antes de lubricar y armar.
2. Sea moderado en el uso de lubricantes durante el armado. Solo necesita una pequeña lubricación.
3. Use un cepillo pequeño o un bastoncillo de algodón para aplicar la grasa directamente a las juntas tóricas en los lugares donde no son accesibles (adaptador QC, adaptador M22).



Conecte las mangueras y el suministro de agua

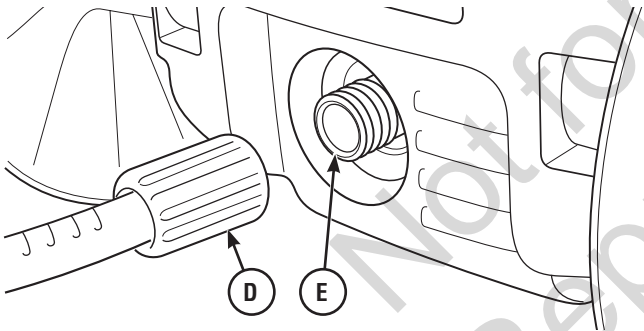
AVISO SOLO use agua fría (menos de 100 °F/38 °C).

1. Conecte una manguera para jardín (máximo: 50 ft/15,24 m) al suministro de agua.
2. Deje correr agua por la manguera para jardín durante 30 segundos para limpiar la suciedad. Desconecte el agua.
3. Confirme que la junta de goma negra (A) está instalada en la entrada del agua situada en la parte delantera inferior de la unidad.

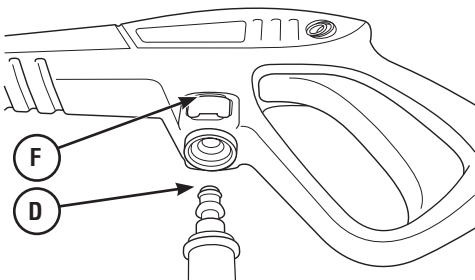


AVISO NO use la bomba sin el suministro de agua conectado y funcionando.

- Si no se siguen estas instrucciones y se daña el equipo, quedará anulada la garantía.
4. Coloque el extremo opuesto de la manguera para jardín (B) en el acoplamiento de entrada de agua (C). Apriete a mano.
 5. Conecte la manguera a alta presión (D) en la salida de agua de la unidad (E) ubicada en la parte trasera inferior de la unidad. Apriete a mano.

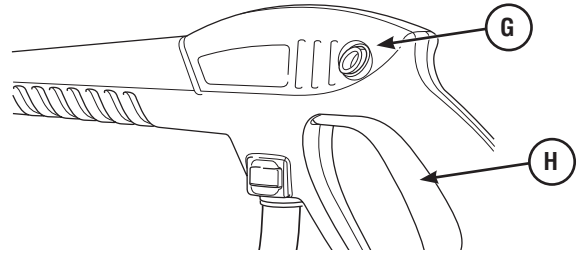


6. Coloque el extremo opuesto de la manguera a alta presión en la pistola pulverizadora. Presione el botón rojo (F) de la pistola pulverizadora. Luego, coloque el extremo de la manguera a alta presión (D) en la manguera hasta que quede colocada correctamente. Suelte el botón rojo y compruebe que la conexión esté segura.

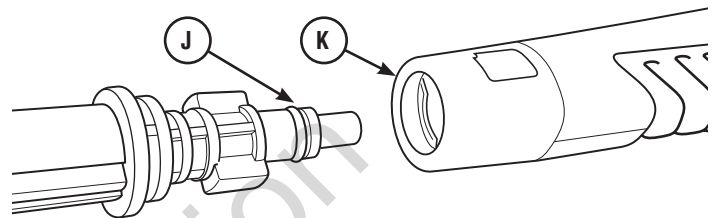


Conexión de la varilla y extremos del pulverizador

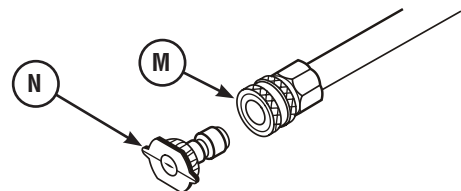
1. Abra el suministro de agua, dirija la pistola en una dirección segura, presione el botón para liberar el gatillo (G); luego apriete el gatillo (H) para liberar el sistema de la bomba y la pistola pulverizadora de aire e impurezas.



2. Coloque y gire la varilla (J) en la pistola pulverizadora (K). Después de que la varilla haya entrado en la pistola, empújela hacia adentro un poco más y gírela 1/4 hacia la derecha hasta colocarla en su lugar.



3. Una vez instalada la varilla de metal, elija el extremo del pulverizador que quiera utilizar. Tire del cuello de la varilla (M), inserte el extremo del pulverizador (N) y libere el cuello. Tire del extremo del pulverizador para asegurarse de que esté bien colocado. Vea *Cómo utilizar extremos del pulverizador*.



4. Apague el agua y suelte el gatillo. Apunte la pistola hacia una dirección segura y compruebe que no se pueda apretar el gatillo.

Lista de verificación previa al arranque del motor de la bomba

Revise el montaje de la unidad para asegurarse de que haya realizado todas las siguientes acciones.

1. Asegúrese de leer *Seguridad del usuario y Funcionamiento* antes de usar la limpiadora a presión eléctrica.
2. Compruebe que las conexiones de manguera estén correctamente apretadas.
3. Asegúrese de que las mangueras no tengan nudos, cortes ni daños.
4. Coloque un suministro de agua adecuado con el flujo correcto (no debe superar los 38 °C).
5. Enchufe el cable eléctrico en una fuente eléctrica conectada a tierra adecuadamente.

Servicio a un aparato con doble aislamiento

En un producto con doble aislamiento, se proporcionan dos sistemas de aislamiento en lugar de la conexión a tierra. El producto con doble aislamiento no cuenta con ningún medio de conexión a tierra, ni se le debe añadir uno. El servicio a un producto con doble aislamiento requiere extrema atención y conocimiento del sistema, y sólo debe hacerlo el personal de servicio calificado. Los repuestos de un producto con doble aislamiento deben ser idénticos a las piezas que se reemplazan. Un producto con doble aislamiento está marcado con las palabras "DOUBLE INSULATION" (DOBLE AISLAMIENTO) o "DOUBLE INSULATED" (DOBLEMENTE AISLADO).

El símbolo  significa APARATO CON DOBLE AISLAMIENTO.

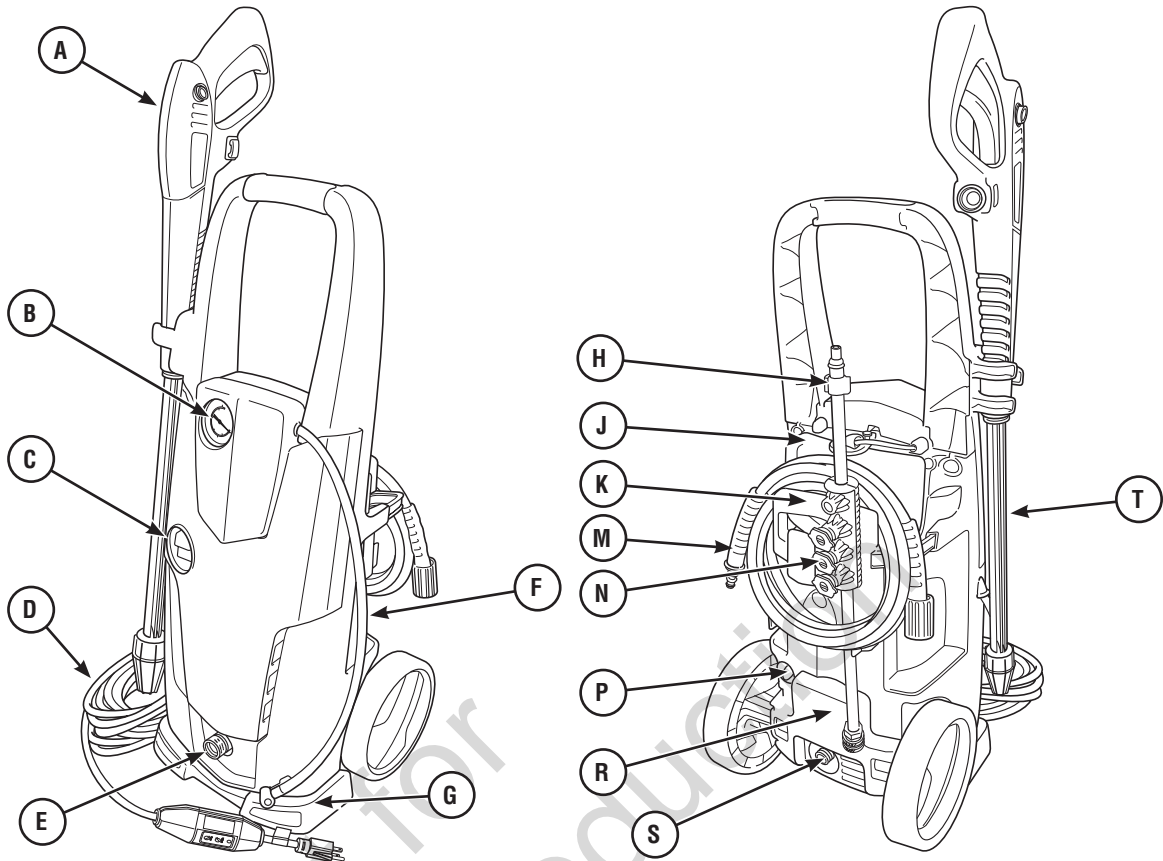
Not for
Reproduction

Características y controles



Lea el manual del usuario y las reglas de seguridad antes de hacer funcionar su limpiadora a presión eléctrica.

Compare las ilustraciones con la limpiadora a presión eléctrica para familiarizarse con la ubicación de los distintos controles y ajustes. Guarde este manual original para consultarlo en el futuro.



A - Pistola pulverizadora: controla la aplicación de agua sobre la superficie por limpiar con un gatillo. Incluye traba de gatillo.

B - Medidor de presión: muestra la cantidad de presión de aire existente en el objeto que se está inflando.

C - Interruptor principal ON/OFF: pulse la parte superior del interruptor (–) para encender (ON) la limpiadora a presión. Pulse la parte inferior del interruptor en (=) para encender (ON) el inflador. Coloque el interruptor en la posición central (O) para apagarla (OFF).

D - Cable eléctrico con GFCI: la limpiadora a presión eléctrica y el operador están protegidos por un interruptor de circuito con fallos a tierra.

E - Entrada del suministro de agua: conecte el suministro de agua utilizando una manguera para jardín de un máximo de 50 ft (15,24 m).

F - Manguera de aire: se utiliza para inflar objetos inflables pequeños.

G - Base de estabilidad: estabiliza la presión de la limpiadora cuando se encuentra en posición vertical.

H - Varilla de metal con conexión rápida: le permite cambiar entre tres pulverizadores distintos.

J - Tanque de detergente: se utiliza para trasvasar detergentes seguros para la limpiadora a presión a una corriente de baja presión.

K - Bandeja para accesorios: es ideal para almacenar accesorios básicos y opcionales.

M- Manguera a alta presión: conecte un extremo a la salida de agua a alta presión y el otro a la pistola pulverizadora.

N - Extremos del pulverizador: detergente (negro), 0° (rojo) y 15° (naranja) para distintas aplicaciones de alta presión.

P - Limpiador de extremo de pulverizador Se utiliza para quitar sedimentos y obstrucciones de los extremos de pulverizadores.

R - Etiqueta de identificación: proporciona el modelo y el número de serie de la limpiadora a presión. En caso de llamar y solicitar ayuda, tenga la etiqueta cerca.

S - Salida de agua a alta presión: conexión de la manguera a alta presión.

T - Varilla tubo: lanza un fuerte chorro de agua para ofrecer una limpieza intensa.

No mostrado:

Etiquetas de advertencia: identifique los peligros que deben evitarse cuando utiliza la limpiadora a presión.

Funcionamiento

Cómo arrancar la limpiadora a presión eléctrica

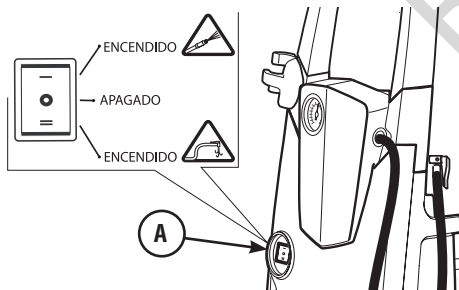
Siga las instrucciones que aparecen a continuación en el orden en el que se muestran. Si tiene problemas con el funcionamiento de la limpiadora a presión eléctrica, por favor, llame al número de teléfono de ayuda de la limpiadora a presión eléctrica (800) 743-4115.

⚠ ADVERTENCIA Riesgo de lesión ocular. El pulverizador podría salpicar o empujar objetos y esto podría causar lesiones graves. Cuando utilice o esté cerca de este dispositivo, colóquese gafas de seguridad con ventilación indirecta (salpicadura química) que cumplan con la disposición ANSI Z87.1. Jamás reemplace las gafas de seguridad o las gafas para tareas secas por gafas de seguridad con ventilación indirecta.

1. Coloque la limpiadora a presión eléctrica cerca de una fuente externa de agua que pueda suministrar agua a un flujo superior a 3 galones por minuto (11,4 L), no inferior a 20 psi (1,38 bares) en el extremo de la limpiadora a presión eléctrica de la manguera para jardín. NO trasvase el suministro de agua.
2. Conecte la manguera para jardín a la entrada de agua.
3. Verifique que la manguera a alta presión esté firmemente conectada a la pistola pulverizadora. Consulte *Conecte las mangueras y el suministro de agua* para ver los gráficos.

AVISO NO use la bomba sin el suministro de agua conectado y funcionando.

- Si no se siguen estas instrucciones y se daña el equipo, quedará anulada la garantía.
4. ENCIENDA el agua, apunte la pistola hacia una dirección segura, presione el botón de bloqueo del gatillo y apriete el gatillo para purgar de aire el sistema de la bomba.
 5. Quite la suciedad que haya en los extremos del pulverizador. Coloque la varilla y extremos del pulverizador deseados en la pistola pulverizadora. Para más detalles, vea *Conecte las mangueras y el suministro de agua* y *Cómo utilizar los extremos del pulverizador*.
 6. Coloque el interruptor principal de encendido/apagado (A) en la posición de apagado (O).

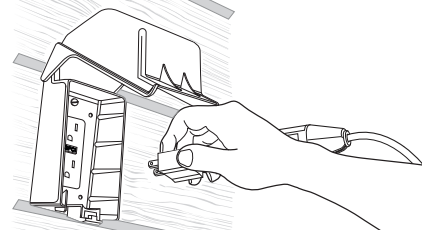


⚠ ADVERTENCIA Riesgo de electrocución. El uso de un cable prolongador podría provocar electrocución y quemaduras, y tener como resultado lesiones graves o la muerte.

- NO utilice un cable prolongador con esta limpiadora a presión eléctrica. Es posible que la toma eléctrica residencial o el cable prolongador no le brinde protección con interrupción de circuito de fallo de conexión a tierra, crucial para la vida de una persona.

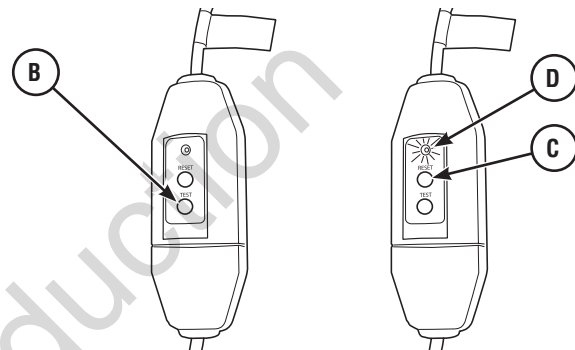
7. Enchufe el cable de energía en un circuito eléctrico de 120 VCA a 15 A que esté correctamente instalado y conectado a tierra de acuerdo con las normas y disposiciones locales. Debería encenderse la luz del indicador en el GFCI.

⚠ ADVERTENCIA Riesgo de electrocución. Si no se utiliza un interruptor con circuito de fallo de conexión a tierra (GFCI), se podría causar lesiones graves o incluso la muerte. Si el luz del indicador no se mantiene encendido después de la prueba y el rearme, no utilice al GFCI.



AVISO La luz del indicador debe estar visible para que la limpiadora a presión eléctrica pueda funcionar.

8. Presione el botón TEST (prueba) (B). Se debería apagar la luz del indicador (D).



9. Presione el botón RESET (reiniciar) (C). Se debería encender la luz del indicador (D).

AVISO NO use la limpiadora a presión eléctrica si falla la prueba mencionada anteriormente.

10. Presione el interruptor principal de encendido/apagado (A) de la limpiadora a presión y llévelo a la posición de encendido (—).

⚠ ADVERTENCIA Riesgo de sufrir contragolpe.

La pistola pulverizadora puede generar un rebote y esto puede hacer que usted se caiga, lo cual podría provocar la muerte o lesiones graves.

- Utilice la limpiadora a presión eléctrica desde una superficie estable.
- Tenga mucho cuidado en caso de que deba utilizar la limpiadora a presión eléctrica parado sobre una escalera, andamio o alguna ubicación similar.
- Agarre la pistola pulverizadora con ambas manos cuando utilice los distintos modos de pulverización para evitar lesiones cuando la pistola pulverizadora rebota.

11. Apunte la pistola hacia una dirección segura, presione el botón de bloqueo del gatillo y apriete el gatillo. El motor de la limpiadora a presión eléctrica arrancará y se detendrá mientras se presiona y se suelta el gatillo de la pistola pulverizadora.

Ahora la limpiadora a presión eléctrica está lista para ser usada. Más adelante, en esta sección, encontrará las instrucciones de uso de los accesorios provistos.

Cómo detener la limpiadora a presión eléctrica

El motor de la limpiadora a presión eléctrica solo funciona cuando está presionado el gatillo. Para detener la limpiadora a presión eléctrica y apagar el motor:

1. Suelte el gatillo de la pistola pulverizadora.
2. Presione el interruptor principal de encendido/apagado y llévelo a la posición de apagado (O).

AVISO Al soltar el gatillo, se apagará el motor, pero no se cortará el suministro de energía a la unidad.

3. Desconecte el suministro de agua.
4. SIEMPRE apunte la pistola pulverizadora hacia una dirección segura y presione su gatillo para liberar la presión acumulada en la unidad.

⚠ ADVERTENCIA El chorro de agua de alta presión que produce esta unidad podría generar cortes en la piel y tejidos subcutáneos, lo cual provocaría lesiones graves o una posible amputación.

La pistola pulverizadora contiene agua a alta presión incluso cuando el motor está detenido y el suministro de agua desconectado. Esto podría provocar lesiones graves.

- Mientras el sistema esté presurizado, mantenga la manguera de alta presión conectada a la bomba y a la pistola pulverizadora.
- SIEMPRE apunte la pistola pulverizadora en una dirección segura, apriete el gatillo de la pistola para liberar la presión alta cada vez que apague la limpiadora a presión.

5. Desconecte el enchufe del GFCI de la salida y enrolle el cable de alimentación.
6. Para purgar el tanque de detergente (en caso de haberlo utilizado), quítelo de la limpiadora a presión y tire la solución restante.
7. Enjuague la botella de detergente con agua limpia y vuelva a colocarla en la limpiadora a presión.
8. Enrolle y guarde el cable de alimentación eléctrica, la manguera de alta presión y los accesorios en la bandeja de accesorios. Guarde la pistola rociadora en el sujetador a un lado de la unidad.

Cómo utilizar los extremos del pulverizador

Ya debería estar familiarizado con cómo arrancar y cómo detener la limpiadora a presión eléctrica. Si no es así, antes de continuar, consulte la sección anterior para familiarizarse con cómo arrancar y cómo detener el sistema.

La opción de conexión rápida en la varilla de metal le permite intercambiar entre tres extremos de pulverizadores distintos de manera rápida. Los extremos de los pulverizadores pueden cambiarse mientras la limpiadora a presión está encendida, siempre y cuando el gatillo de la pistola pulverizadora esté bloqueado. Los extremos del pulverizador cambian el tipo de pulverización según se muestra.

Siga estas instrucciones para cambiar los extremos del pulverizador:

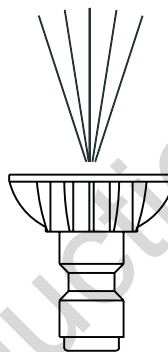
1. Tire el cuello de la conexión rápida y quite el extremo del pulverizador que tenga en ese momento. Coloque los extremos del pulverizador en el contenedor que se encuentra en la varilla de metal.

⚠ ADVERTENCIA El chorro de agua de alta presión que produce esta unidad podría generar cortes en la piel y tejidos subcutáneos, lo cual provocaría lesiones graves o una posible amputación.

- NUNCA cambie extremos de pulverizadores sin que la traba del gatillo esté enganchada a la pistola pulverizadora.
- NO gire los extremos del pulverizador mientras los esté utilizando.

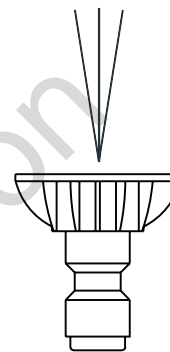
2. Elija el extremo del pulverizador que quiera:
 - Para un enjuague general, elija el extremo naranja 15°.
 - Para fregar la superficie, elija el extremo rojo 0°.
 - Para colocar detergente, elija el extremo negro.

Baja presión

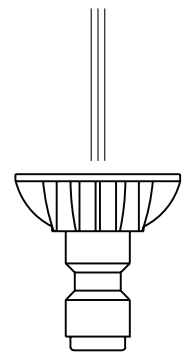


Negro
Utilícelo para aplicar
detergente

Alta presión



15° naranja
1300 PSI
1.3 GPM



0° rojo
1700 PSI
1.0 GPM

3. Tire del cuello, coloque el extremo nuevo y suelte el cuello. Tire del extremo del pulverizador para asegurarse de que esté bien colocado.

Consejos de uso

- Para una mejor limpieza, mantenga el extremo del pulverizador a una distancia de entre 8 y 24 in (20 y 60 cm) de la superficie a limpiar.
- Si acerca demasiado el extremo del pulverizador, en especial cuando utiliza un extremo para alta presión, puede dañar la superficie que está limpiando.
- Al limpiar neumáticos, no se acerque a más de 6 in (15 cm).

Cómo aplicar detergente

⚠ **ADVERTENCIA** Peligro de quemaduras químicas

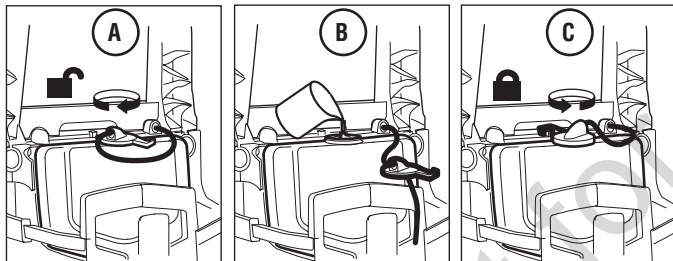


Los productos químicos pueden provocar quemaduras que produzcan la muerte o lesiones graves.

- Cuando utilice productos químicos, colóquese gafas de seguridad con ventilación indirecta (salpicadura química) que cumplan con la disposición ANSI Z87.1.
- NO reemplace las gafas de seguridad o las gafas para tareas secas por gafas de seguridad con ventilación indirecta.
- NO utilice líquido cáustico con la limpiadora a presión eléctrica.
- SOLO utilice detergentes/jabones seguros para la limpiadora a presión. Siga todas las instrucciones del fabricante.

Para aplicar detergente, siga estos pasos:

1. Revise el uso de los extremos que se muestra en *Cómo utilizar los extremos del pulverizador*.
2. Prepare la solución de detergente que corresponda al trabajo que va a realizar.
3. Gire la tapa del tanque de detergente (A) hacia la derecha para liberarla de la lengüeta de retención. Quite la tapa del tanque de detergente (B).



4. Llene el tanque con detergente (B).
5. Vuelva a colocar en el tanque de detergente la manguera de succión y la tapa.
6. Gire la tapa del tanque de detergente (C) hacia la izquierda hasta que haga tope con la lengüeta de retención. Asegúrese de que el extremo de la manguera de succión toque el fondo del tanque.
7. Asegúrese de que esté colocado el extremo del pulverizador negro para detergente.

AVISO No se puede aplicar detergente con los extremos del pulverizador para alta presión (naranja o rojo).

8. Asegúrese de que la manguera para jardín esté conectada a la entrada de agua. Verifique que la manguera a alta presión esté conectada a la pistola pulverizadora y a la bomba. Encienda el agua.

AVISO Debe conectar todas las mangueras antes de arrancar la limpiadora a presión eléctrica.

9. Arranque la limpiadora a presión eléctrica según las indicaciones de *Cómo arrancar la limpiadora a presión eléctrica*.
10. Aplique detergente a una superficie seca. Comience en una parte inferior de la zona que limpiará y vaya subiendo de forma amplia y pareja.

11. Deje que el detergente entre en “remojo” de 3 a 5 min antes de lavar y enjuagar. Vuelva a aplicar, según sea necesario, para evitar que la superficie se seque. Para evitar que queden vetas, NO DEJE que el detergente se seque en la superficie.

Enjuagar la limpiadora a presión eléctrica

1. Quite el extremo del pulverizador negro para detergente de la varilla de metal.
2. Elija y coloque el extremo del pulverizador de alta presión que usted desea. Para ello, siga las instrucciones en *Cómo utilizar los extremos del pulverizador*.
3. Mantenga la pistola pulverizadora a una distancia segura de la zona que va a limpiar.

⚠ **ADVERTENCIA** Riesgo de rebote



La pistola pulverizadora puede generar un rebote y esto puede hacer que usted se caiga, lo cual podría provocarle la muerte o lesiones graves.

- Utilice la limpiadora a presión eléctrica desde una superficie estable.
 - Tenga mucho cuidado en caso de que deba utilizar la limpiadora a presión eléctrica parado sobre una escalera, andamio o alguna ubicación similar.
 - Agarre la pistola pulverizadora con ambas manos cuando utilice los distintos modos de pulverización para evitar lesiones cuando la pistola pulverizadora rebota.
4. Rocíe a alta presión en una zona pequeña y luego compruebe que no haya daños en la superficie. Si no encontró daños, puede continuar con el enjuague.
 5. Comience en la parte superior de la zona por enjuagar y baje con movimientos amplios y parejos, al igual que cuando limpió.

Otros consejos de limpieza

- NUNCA descuide la limpiadora a presión eléctrica mientras está enchufada a una salida eléctrica y mientras se está suministrando agua al equipo.
- Si el extremo del pulverizador está muy lejos de la superficie que está lavando, la limpieza puede no ser tan efectiva.

Cómo usar la función de inflador eléctrico

Instrucciones de conexión a tierra

Este producto se debe conectar a tierra. En caso de que no funcione correctamente o falle, la conexión a tierra brinda a la corriente eléctrica una trayectoria de menor resistencia, a fin de reducir el riesgo de electrocución. Este producto está equipado con un cable que tiene un conductor de conexión a tierra del equipo y enchufe con conexión a tierra. El enchufe debe introducirse en una toma adecuada, correctamente instalada y conectada a tierra conforme a toda la normativa vigente.

¡PELIGRO! – Una conexión inadecuada del conductor de conexión a tierra del equipo puede representar un riesgo de electrocución. Verifique con un electricista calificado o con el personal de servicio si tiene dudas de que la toma esté correctamente conectada a tierra. No modifique el enchufe que viene con el producto; si no se ajusta a la toma, haga que un electricista calificado instale una toma adecuada. No use ningún tipo de adaptador con este producto.

⚠ ADVERTENCIA Si no se leen ni se siguen las indicaciones del manual del operario y todas las instrucciones antes de usar el aparato, se pueden producir daños materiales, lesiones graves y/o incluso la muerte.

⚠ ADVERTENCIA Riesgo de electrocución. Poner en contacto al mismo tiempo ambos conductores de energía podría provocar una descarga eléctrica o incendio que causen muertes o lesiones graves.

- Conectarla solo a un toma corriente con una buena descarga a tierra. NO quite el terminal de tierra del enchufe.
- Compruebe que el cable esté en buenas condiciones antes de usar la unidad. NO la utilice si el cable está dañado.
- Mantenga todas las conexiones secas y lejos del suelo.
- NO toque el enchufe con las manos mojadas.
- El producto cuenta con un interruptor del circuito de fallo a tierra (GFCI) que se encuentra en el cable del enchufe. Si es necesario reemplazar el enchufe o el cable, reemplácelos exclusivamente por piezas de repuesto idénticas.

⚠ ADVERTENCIA Riesgo de reventón. El aire a alta presión puede ocasionar la muerte o lesiones graves.

- Siga las instrucciones del fabricante para evitar un inflado excesivo.
- Utilice exclusivamente piezas para controlar el aire recomendadas y aceptables para presiones no inferiores a 250 PSI.
- Vigile en todo momento el inflador mientras esté en funcionamiento.
- No utilice una presión superior a los 100 PSI.
- El medidor de presión del aire sólo debe usarse a modo de referencia.
- Revise siempre los elementos que infle con un medidor calibrado para conocer la presión real.
- Para inflar elementos con 10 PSI o menos, utilice intervalos de inflado cortos y revise la presión con un medidor calibrado.

⚠ ADVERTENCIA Riesgo de lesión para los ojos. El aire a altas presiones puede ocasionar lesiones graves.



- Siempre lleve gafas de seguridad que cumplan la normativa ANSI Z87.1 cuando se utilice en o cerca de este equipo.

⚠ ADVERTENCIA Riesgo de incendio. El uso continuo del inflador puede ocasionar lesiones graves.



- Espere 3 minutos a que se enfríe el inflador después de haberlo usado de manera continua durante 5 minutos.

El inflador eléctrico funciona independientemente del lavador a presión; únicamente debe enchufarse el cable de alimentación eléctrica tal y como se indica en esta sección.

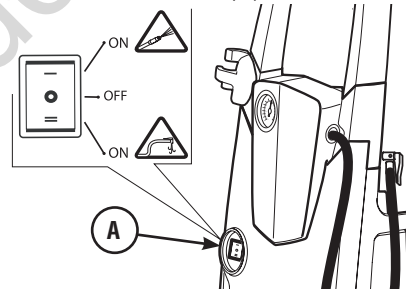
AVISO Si el inflador se utiliza continuamente durante más de 5 minutos, la bomba puede resultar dañada. Espere a que la bomba se enfríe durante 3 minutos antes de usarla de nuevo.

AVISO NO presione el interruptor de encendido/apagado maestro hasta la posición ON (—) (función de lavador a presión) sin que el suministro de agua esté conectado y encendido.

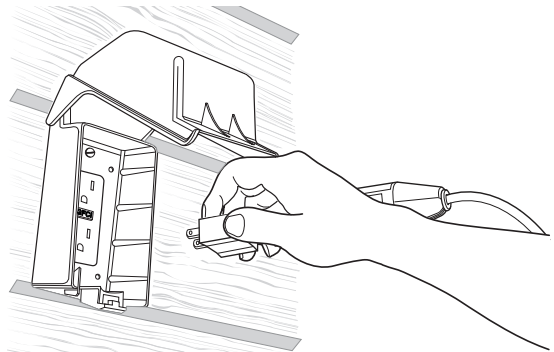
- Si se producen daños en el equipo como consecuencia de no seguir estas instrucciones, la garantía quedará anulada.

Siga estas instrucciones para hacer funcionar el inflador eléctrico:

1. Presione el interruptor de encendido/apagado maestro (A) hasta la posición central OFF (O).

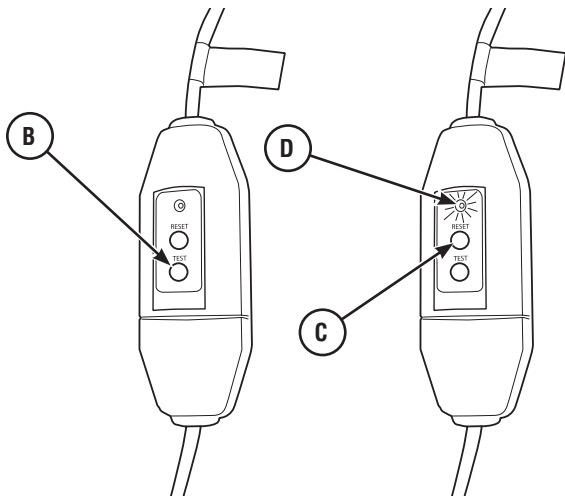


2. Conecte el cable de alimentación eléctrica en un circuito eléctrico con capacidad para 12 voltios CA a 15 amperios que esté correctamente instalado y conectado a tierra de acuerdo con la normativa y las ordenanzas locales. Debería aparecer una luz indicadora en el GFCI.



AVISO La luz indicadora debe ser visible para que el inflador eléctrico pueda funcionar.

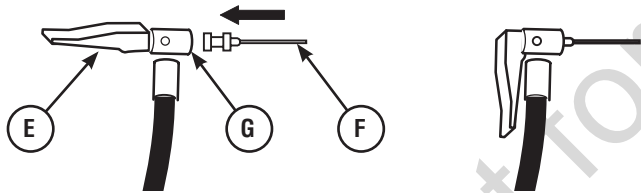
3. Presione el botón TEST (B). La luz indicadora (D) debería desaparecer.



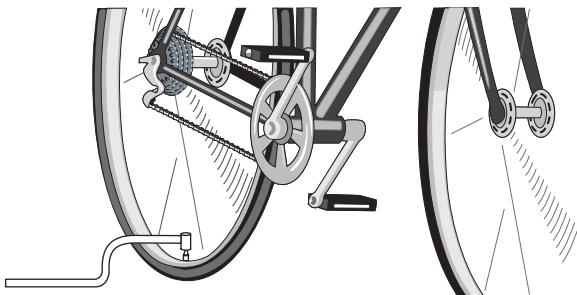
4. Presione el botón RESET (C). La luz indicadora (D) debería iluminarse.

AVISO NO utilice el inflador eléctrico si falla la prueba anterior.

5. El inflador eléctrico está equipado con tres adaptadores. Cuando se necesite un adaptador para inflar un objeto, eleve la palanca (E) e inserte el adaptador correcto (F) en el extremo de la manguera del inflador (G). Baje la palanca para sujetar el adaptador.



6. Presione el interruptor maestro de encendido/apagado hasta la posición ON (=) del inflador.
7. Inserte el adaptador en el objeto que desee inflar. Cuando esté inflado, quite el adaptador y presione el interruptor de encendido y apagado ON/OFF (A) hasta la posición central OFF (O).
8. Cuando infle los neumáticos, conecte el extremo de la manguera del inflador en la válvula del neumático. Cuando esté inflado, quite el extremo de la manguera del inflador y presione el interruptor de encendido y apagado ON/OFF (A) hasta la posición central OFF (O).



9. Desconecte el tapón GFCI de la salida y del cable de alimentación eléctrica de la bobina.

Mantenimiento

Recomendaciones Generales

Realizar el mantenimiento con frecuencia mejorará el rendimiento y ampliará la vida útil de la limpiadora a presión eléctrica.

La garantía en esta limpiadora a presión eléctrica no cubre artículos que hayan sido sometidos a abusos o negligencia por parte del operador. Para sacar el máximo provecho de la garantía, el operador debe cumplir con todas las especificaciones aquí indicadas, entre ellas, el almacenamiento correcto de la limpiadora a presión eléctrica.

AVISO Si tiene preguntas sobre las piezas de repuesto de la limpiadora a presión eléctrica, por favor, llame al **(800) 743-4115** para obtener ayuda.

Antes de cada utilización

1. Limpie los desechos.
2. Verifique que la pantalla de entrada de agua no tenga suciedad y no esté dañada.
3. Verifique que la manguera a alta presión no tenga pérdidas.
4. Compruebe que el tubo del sifón del detergente no esté dañado.
5. Verifique el funcionamiento de la pistola pulverizadora.

Mantenimiento de la limpiadora a presión eléctrica

Limpieza de desechos

A diario, o antes de usarla, limpie los desechos acumulados en la limpiadora a presión eléctrica. Revise las ranuras y las entradas de aire de refrigeración adelante, atrás y abajo de la limpiadora a presión eléctrica. Estas aberturas deben estar limpias y sin obstrucciones.

Las piezas de la limpiadora a presión eléctrica deben mantenerse limpias para reducir el riesgo de sobrecalentamiento e incendio de desechos acumulados.

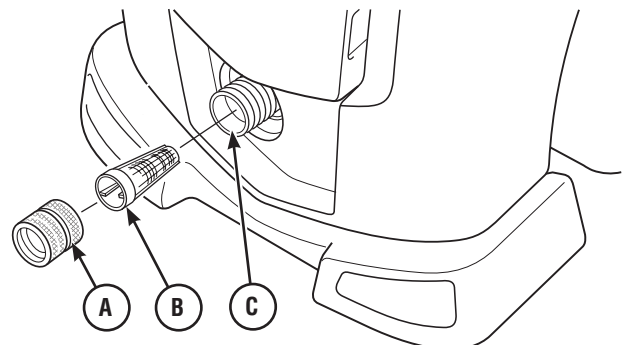
- Use un trapo húmedo para limpiar las superficies exteriores.

AVISO Si maneja inadecuadamente la limpiadora a presión eléctrica, podría dañarla y acortar su vida útil.

- NO inserte objetos a través de las ranuras de enfriamiento.

Verificación y limpieza de la pantalla de entrada de agua

Quite el acoplamiento de la entrada de agua (A). Luego, retire la pantalla de entrada de agua (B) de la entrada de agua de la unidad (C) con alicates de punta aguja. La entrada de agua está ubicada en la parte inferior frontal de la unidad. Revise la pantalla de entrada de agua. Si está sucia, límpiela con un cepillo pequeño y con agua. Si la pantalla está dañada, reemplácela.



Revisión de la manguera a alta presión

La manguera a alta presión puede tener pérdidas a causa del desgaste, los nudos y el mal uso. Siempre revise la manguera antes de usarla. Compruebe que no haya cortes, fugas, abrasiones o bultos en la cubierta, y daños o movimientos de acopladores. Si ocurre algo de lo mencionado anteriormente, reemplace la manguera inmediatamente.

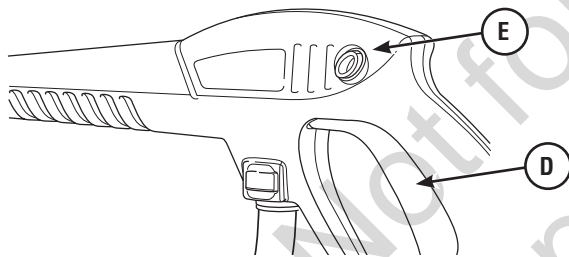
- ⚠️ ADVERTENCIA** El chorro de agua de alta presión que produce esta unidad podría generar cortes en la piel y tejidos subcutáneos, lo cual provocaría lesiones graves o una posible amputación.
- NUNCA repare la manguera a alta presión. Cámbiela.
 - La potencia de la manguera reemplazada DEBE ser igual o superior a la presión máxima de la unidad.

Revise el tubo de sifón del detergente

Asegúrese de que la conexión del tubo sea ajustada. Compruebe que el tubo no tenga pérdidas ni rajaduras y reemplácelo si está dañado.

Revisión de la pistola pulverizadora

Revise la conexión de la manguera a la pistola pulverizadora y asegúrese de que esté firme. Pruebe el gatillo (D). Para ello, presione el botón de bloqueo del gatillo (E) y asegúrese de que el gatillo vuelva a su posición, como si fuera un resorte, al soltarlo. No debería poder presionar el gatillo sin presionar antes el botón de bloqueo del gatillo. Si estas pruebas fallan, cambie inmediatamente la pistola pulverizadora.



Mantenimiento del extremo del pulverizador

Una presión excesiva en la bomba puede provocar una sensación de pulsación al apretar el gatillo de la pistola pulverizadora. El principal motivo de que haya presión excesiva en la bomba es que el pulverizador está tapado o limitado por materiales externos como la tierra. Un pulverizador tapado podría hacer que la bomba se encienda y se apague, o que no se encienda, incluso cuando haya algo de flujo.

Para corregir el problema, use estas instrucciones para limpiar inmediatamente el extremo del pulverizador:

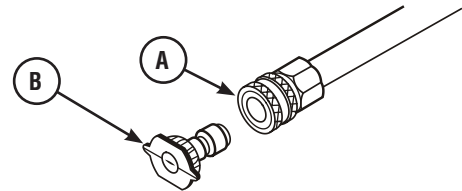
1. Presione el interruptor principal de encendido/apagado y llévelo a la posición de apagado (O). Quite el enchufe del cable de alimentación de la salida eléctrica.
2. Desconecte el suministro de agua de la limpiadora a presión eléctrica.
3. SIEMPRE apunte la pistola pulverizadora hacia una dirección segura. Presione el botón de bloqueo del gatillo y apriete el gatillo de la pistola pulverizadora para liberar el agua a alta presión retenida.

- ⚠️ ADVERTENCIA** El chorro de agua de alta presión que produce esta unidad podría generar cortes en la piel y tejidos subcutáneos, lo cual provocaría lesiones graves o una posible amputación.

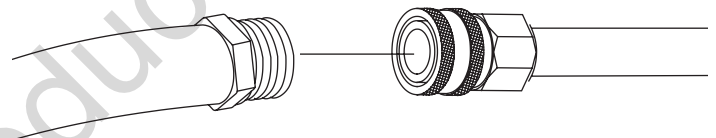
La pistola pulverizadora contiene agua a alta presión incluso cuando el motor está detenido y el suministro de agua desconectado. Esto podría provocar lesiones graves.

- Mientras el sistema esté presurizado, mantenga la manguera de alta presión conectada a la bomba y a la pistola pulverizadora.
- SIEMPRE apunte la pistola pulverizadora en una dirección segura, apriete el gatillo de la pistola para liberar la presión alta cada vez que apague la limpiadora a presión.

4. Quite el extremo del pulverizador de la varilla de metal (A).



5. Utilice el extremo del limpiador de la punta del cable para liberar cualquier material externo que obstruya o restrinja el extremo del pulverizador (B). El limpiador de la punta del cable está guardado en la parte inferior izquierda de la unidad.
6. Utilice una manguera para jardín para quitar los restos enviando agua por la varilla de metal. Circule agua entre 30 y 60 segundos.



7. Vuelva a colocar el extremo del pulverizador en la varilla de metal.
8. Vuelva a conectar la varilla de metal a la pistola pulverizadora.
9. Asegúrese de que la manguera para jardín esté conectada a la entrada de agua. Verifique que la manguera a alta presión esté conectada a la pistola pulverizadora y a la bomba. Encienda el agua.
10. Enchufe el cable de alimentación en una salida eléctrica, presione el interruptor principal de encendido/apagado de la limpiadora a presión y llévelo a la posición de encendido (—).
11. Compruebe la limpiadora a presión eléctrica utilizando cada extremo del pulverizador de conexión rápida.

Mantenimiento de la bomba y del motor

La bomba y el motor de la limpiadora a presión eléctrica no requieren mantenimiento. Ambos conjuntos están prelubricados y sellados, y no es necesario volver a lubricarlos.

Después de cada utilización

El agua no debería permanecer durante mucho tiempo en la unidad. Los sedimentos o los minerales pueden depositarse en las piezas de la bomba y “congelar” su funcionamiento. Después de cada uso, siga estos procedimientos:

1. Corte el agua, apunte la pistola hacia una dirección segura, presione el botón de bloqueo del gatillo y apriete el gatillo para liberar la presión atrapada.
2. Desconecte la manguera para jardín del suministro de agua y de la limpiadora a presión eléctrica.
3. Desconecte la manguera de la pistola pulverizadora y de la salida de alta presión de la bomba. Drene el agua de la manguera, de la pistola y de la varilla. Utilice un trapo para limpiar la manguera.
4. Drene el agua de la bomba. Para ello, dé la vuelta a la unidad desde su parte delantera (la entrada de agua debe quedar hacia abajo).
5. Enrolle y guarde el cable de alimentación eléctrica, la manguera de alta presión y los accesorios en la bandeja de accesorios. Guarde la pistola rociadora en el sujetador a un lado de la unidad.
6. Guarde la unidad en una zona limpia y seca.
7. Si la va a guardar durante 30 días o más, consulte la sección Almacenamiento en invierno o durante largos períodos, en la página siguiente.

Almacenamiento en invierno o durante largos períodos

El agua no debería permanecer durante mucho tiempo en la unidad. Los sedimentos o los minerales pueden depositarse en las piezas de la bomba y “congelar” su funcionamiento.

Procedimientos iniciales de almacenamiento

1. Quite de la unidad la botella de detergente para purgarla y tire la solución restante.
2. Enjuague la botella de detergente con agua limpia.
3. Haga funcionar la limpiadora a presión eléctrica con el extremo de pulverizador para alta presión (rojo). Enjuague durante uno o dos minutos.
4. Presione el interruptor principal de encendido/apagado (A) y llévelo a la posición de apagado (O). Quite el enchufe del cable de alimentación de la salida eléctrica.
5. Desconecte el suministro de agua. Apunte la pistola hacia una dirección segura, presione el botón de bloqueo del gatillo y apriete el gatillo para liberar la presión atrapada. Espere un momento y suelte el gatillo de la pistola pulverizadora.
6. Desconecte la manguera para jardín del suministro de agua y de la limpiadora a presión eléctrica. Desconecte la manguera a presión de la bomba y de la pistola pulverizadora.
7. Drene el agua de las mangueras y la pistola pulverizadora; luego utilice un trapo o algo similar para limpiar las superficies externas.

8. Asegúrese de que las mangueras de entrada y salida estén desconectadas de la bomba. Drene el agua de la bomba. Para ello, dé la vuelta a la unidad desde su parte delantera (la entrada de agua debe quedar hacia abajo).

AVISO Si quedara agua en la bomba, esta podría congelarse y dañar la bomba.

Protección de la bomba

Para proteger la bomba de daños provocados por depósitos de minerales o congelamiento, utilice la PumpSaver, modelo 6039, para tratar la bomba. Esto evita daños por congelamiento y lubrica el pistón y los cierres.

AVISO La PumpSaver está disponible como un accesorio opcional. No viene incluida con la limpiadora a presión eléctrica. Para comprar la PumpSaver, póngase en contacto con el centro de mantenimiento autorizado más cercano.

AVISO Debe proteger la unidad de temperaturas extremadamente bajas.

- Si no lo hace, le causará un daño permanente a la bomba y la unidad quedará inservible.
- La garantía no cubre daños por congelamiento.

Para utilizar la PumpSaver, asegúrese de que la limpiadora a presión eléctrica esté apagada y que las mangueras de entrada y salida estén desconectadas. Lea y siga todas las instrucciones y advertencias que aparecen en la caja de la PumpSaver.

Procedimientos para el almacenamiento final

1. Enrolle y guarde el cable de alimentación eléctrica, la manguera de alta presión y los accesorios en la bandeja de accesorios. Guarde la pistola rociadora en el sujetador a un lado de la unidad.
2. Vuelva a colocar en la unidad la botella del detergente. Guarde la pistola pulverizadora y los accesorios en la bandeja para accesorios.
3. Guarde la unidad en un área limpia y seca que esté protegida contra las bajas temperaturas.
4. Cubra la unidad con una manta protectora apropiada que no retenga la humedad.

Resolución de problemas

Problema	Causa	Solución
La bomba tiene los siguientes problemas: no genera presión, presión errática, vibración, pérdida de presión, bajo volumen de agua.	<ol style="list-style-type: none"> 1. La entrada de agua está bloqueada. 2. Suministro de agua inadecuado. 3. La manguera para jardín está enroscada o tiene pérdidas. 4. Revise la pantalla de entrada de agua. 5. El suministro de agua supera los 100 °F (38 °C). 6. La manguera a alta presión está obstruida o pierde. 7. El extremo del pulverizador está tapado. 8. Falla la bomba. 	<ol style="list-style-type: none"> 1. Libere la entrada. 2. Proporcione un flujo de agua adecuado. 3. Estire la manguera para jardín o reemplácela si pierde. 4. Revise y limpie la pantalla de entrada de agua 5. Proporcione un suministro de agua más fresca. 6. Libere las obstrucciones en la manguera a alta presión o reemplace la manguera. 7. Limpie el extremo del pulverizador. 8. Póngase en contacto con el atención al cliente de Briggs & Stratton.
La unidad no se enciende cuando se aprieta el gatillo de la pistola pulverizadora.	<ol style="list-style-type: none"> 1. El suministro de agua no está encendido. 2. La unidad no está conectada. 3. La unidad no está encendida. 4. La manguera para jardín es demasiado larga. 	<ol style="list-style-type: none"> 1. Encienda el suministro de agua. 2. Conecte el cable de alimentación eléctrica en un circuito eléctrico con capacidad para 120 voltios CA a 15 amperios que esté correctamente instalado y conectado a tierra de acuerdo con la normativa y las ordenanzas locales. 3. Coloque el interruptor principal de encendido/apagado de la <i>limpiadora a presión</i> en la posición de encendido (—). Reinicie el GFCI. 4. Utilice una manguera para jardín de 50 ft (15,24 m) como máximo.
El detergente no se mezcla con el pulverizador.	<ol style="list-style-type: none"> 1. El tubo del sifón está tapado o rajado. 2. El tubo del sifón no está insertado por completo en el tanque de detergente. 3. Extremo del pulverizador para alta presión instalado. 	<ol style="list-style-type: none"> 1. Limpie o reemplace el tubo del sifón. 2. Inserte el tubo del sifón para que el extremo haga contacto con el fondo del tanque de detergente. 3. Reemplácelo por el extremo del pulverizador para baja presión (negro).
El motor del compresor no arranca.	<ol style="list-style-type: none"> 1. La unidad no está conectada. 2. La unidad no está encendida. 3. El motor del compresor está averiado. 	<ol style="list-style-type: none"> 1. Conecte el cable de alimentación eléctrica en un circuito eléctrico con capacidad para 120 voltios CA a 15 amperios que esté correctamente instalado y conectado a tierra de acuerdo con la normativa y las ordenanzas locales. 2. Presione el interruptor maestro de encendido/apagado hasta la posición ON (=) del inflador. Restablezca el GFCI. 3. Póngase en contacto con el atención al cliente de Briggs & Stratton.

POLÍTICA DE GARANTÍA PARA EL PROPIETARIO DE UNA LAVADORA A PRESION
BRIGGS & STRATTON POWER PRODUCTS GROUP, LLC

Fecha de entrada en vigor: 1 de Noviembre de 2012; sustituye a todas las garantías sin fecha y a las de fecha anterior al 1 de Noviembre de 2012.

GARANTÍA LIMITADA

Briggs & Stratton Power Products Group, LLC reparará o sustituirá sin cargo alguno cualquier componente de la lavadora a presión que presente defectos de materiales y/o mano de obra. Los gastos de transporte del producto enviado para reparar o sustituir conforme a los términos de esta garantía correrán a cargo del comprador. El período de vigencia y las condiciones de esta garantía son los que se estipulan a continuación. Para servicio de garantía, contacto con Atención al Cliente de Briggs & Stratton llamando al (800) 743-4115 o por Internet en BRIGGSandSTRATTON.COM.

No existe ninguna otra garantía explícita. Las garantías implícitas, incluidas las de comerciabilidad o idoneidad para un fin en particular, se limitan a un año a partir de la fecha de compra o al límite de tiempo permitido por la ley. Queda excluida cualquier otra garantía implícita. Queda excluida la responsabilidad por daños secundarios y derivados hasta el límite permitido por la ley. Algunos países o estados no permiten limitar la duración de una garantía implícita ni excluir o limitar los daños secundarios y derivados. Por tanto, es posible que las limitaciones y exclusiones mencionadas no sean aplicables en su caso. Esta garantía le otorga determinados derechos legales y es posible que tenga otros derechos que pueden variar de un país o estado a otro**.

PERÍODO DE GARANTÍA

Uso del consumidor	1 año
Uso comercial	Ninguno

**En Australia – Nuestros bienes incluyen garantías que no pueden excluirse bajo la Ley del consumidor australiana. Usted tiene derecho a una sustitución del producto o devolución de su dinero debido a un fallo importante y como compensación por cualquier otra pérdida o daño razonablemente previsible. También tiene derecho a que se reparen o reemplacen los bienes si estos no cumplen con una calidad aceptable y si el fallo no se considera un fallo importante. Para recibir el servicio en garantía, localice el distribuidor de servicio autorizado más próximo en nuestro mapa de distribuidores en BRIGGSandSTRATTON.COM, o bien, llame al 1300 274 447, envíe un correo electrónico o escriba a salesenquires@briggsandstratton.com.au, Briggs & Stratton Australia Pty Ltd, 1 Moorebank Avenue, NSW, Australia, 2170.

El período de garantía comienza en la fecha de compra del primer usuario final y se prolonga durante el tiempo especificado. “Uso del consumidor” significa uso doméstico personal por parte de un consumidor final. “Uso comercial” significa cualquier otro uso, incluidos los usos con fines comerciales, de generación de ingresos o alquiler. Una vez que el equipo se haya usado con fines comerciales, se considerará como equipo de uso comercial a efectos de esta garantía. Los equipos utilizados para suministrar energía en sustitución de un servicio público no pueden acogerse a esta garantía.

NO ES NECESARIO REGISTRAR LA GARANTÍA PARA OBTENER SERVICIO DE BRIGGS & STRATTON PRODUCTS. GUARDE SU RECIBO DE COMPRA. SI NO APORTA LA PRUEBA DE LA FECHA DE COMPRA INICIAL, SE UTILIZARÁ LA FECHA DE FABRICACIÓN DEL PRODUCTO PARA DETERMINAR EL PERÍODO DE GARANTÍA.

ACERCA DE LA GARANTÍA

Esperamos que disfrute de nuestra garantía y le pedimos disculpas por las molestias causadas. La mayoría de las reparaciones en garantía se gestionan normalmente, pero algunas veces la solicitud de servicio en garantía puede no ser procedente. Por ejemplo, la garantía no será válida si el equipo presenta daños debidos al mal uso, la falta de mantenimiento, el transporte, la manipulación, el almacenamiento o la instalación inadecuados. De manera similar, la garantía quedará anulada si se ha borrado la fecha de fabricación o el número de serie de la limpiadora a presión, o si el equipo ha sido alterado o modificado. Durante el período de garantía, Briggs & Stratton podrá reparar o sustituir, a su libre elección, cualquier pieza que, previa inspección, sea defectuosa en condiciones normales de uso y servicio. Esta garantía no cubre las reparaciones y los equipos que se detallan a continuación:

- **Desgaste normal.** Al igual que cualquier otro aparato mecánico, los equipos de uso en exteriores necesitan piezas y mantenimiento periódicos para funcionar correctamente. Esta garantía no cubre las reparaciones cuando el uso normal haya agotado la vida útil de una pieza concreta del equipo.
- **Instalación y mantenimiento.** Esta garantía no cubre los equipos ni las piezas cuya instalación sea incorrecta o no haya sido autorizada, ni aquellos que hayan sido objeto de cualquier tipo de alteración, mal uso, negligencia, accidente, sobrecarga, exceso de velocidad o mantenimiento, reparación o almacenamiento inadecuados que, a nuestro juicio, haya afectado negativamente a su funcionamiento y su fiabilidad. La garantía tampoco cubre el mantenimiento normal, como los filtros de aire, los ajustes y la limpieza o la obstrucción del sistema de combustión (debido a materias químicas, suciedad, carbón, cal, y así sucesivamente).
- **Otras exclusiones.** Esta garantía excluye los elementos sujetos a desgaste, como las conectores, juntas, las juntas tóricas, las bombas que se hayan hecho funcionar sin agua y los daños derivados de accidentes, uso indebido, modificaciones, alteraciones, servicio inadecuado, congelación o deterioro químico. Los accesorios tales como pistolas, mangueras, extensiones de boquilla (varillas) y boquillas quedan excluidos de la garantía del producto. Esta garantía excluye los equipos usados o reacondicionados y los destinados a demostraciones y los fallos debidos a hechos fortuitos y a otros acontecimientos de fuerza mayor que escapan al control del fabricante. 206457S, Rev. C, 10/23/2012

BRIGGS & STRATTON POWER PRODUCTS GROUP, LLC
MILWAUKEE, WI, EE.UU.

Español

es



Limpiadora a presión eléctrica Briggs & Stratton

Especificaciones del producto

Presión de salida	1700 psi (117,2 bares) *
Velocidad de flujo.....	1,3 gpm (4,9 lpm) *
Mezcla de detergente	Ver las instrucciones de MFR
Temperatura del suministro de agua.....	No debe superar los 100 °F (38 °C)
Motor	De tipo universal (cepillo)
Rango de voltaje.....	120 VCA
Corriente.....	12,5 A

* Esta limpiadora a presión está clasificada conforme a la norma PW101-2010 (Comprobación y Clasificación de Rendimiento de Limpiadoras a Presión) de la Asociación de Fabricantes de Lavadoras a Presión (PWMA).

Not for
Reproduction

Briggs & Stratton Power Products Group, LLC
P.O. Box 702
Milwaukee, Wisconsin, 53201-0702 EE. UU.



**Nettoyeur
haute pression
électrique**

MANUEL D'UTILISATION



Ce nettoyeur haute pression est évalué conformément à la norme PW101-2010 (essai et évaluation de la performance des nettoyeurs à pression) de l'Association des fabricants de nettoyeur haute pression)

**BRIGGS & STRATTON POWER PRODUCTS GROUP, LLC MILWAUKEE,
WISCONSIN, É.-U.**

Nous vous remercions d'avoir acheté un nettoyeur à pression électrique de qualité Briggs & Stratton®. Nous sommes heureux que vous ayez placé votre confiance dans la marque Briggs & Stratton. S'il est utilisé et entretenu selon les instructions de ce manuel, votre nettoyeur à pression électrique Briggs & Stratton vous procurera de nombreuses années de service fiable.

Ce manuel contient des informations de sécurité pour vous faire prendre conscience des dangers et des risques associés aux nettoyeurs à pression électrique et la façon de les éviter. Briggs & Stratton n'étant pas nécessairement au courant de toutes les utilisations auxquelles est destiné ce nettoyeur à pression électrique, il est important que vous lisiez attentivement et compreniez ces instructions avant de le mettre en marche et de l'opérer. **Conservez ces instructions d'origine pour référence future.**

Un assemblage de finition est nécessaire avant d'utiliser le nettoyeur haute pression. Se référer à la section *Montage* de ce manuel pour les instructions concernant les procédures de montage final. Suivre complètement les instructions.

Comment nous rejoindre

Si vous avez besoin d'assistance au sujet de votre montage ou des questions au sujet du fonctionnement de votre modèle, veuillez communiquer avec nous au numéro sans frais **(800) 743-4115**, du lundi au vendredi, entre 8 h et 17 h, HNC.

Nettoyeur haute pression électrique

Numéro de modèle

Révision

Numéro de série

Date d'achat

Not for
Reproduction

Copyright © 2013 Briggs & Stratton Power Products Group, LLC
Milwaukee, WI, EU. Tous droits réservés.

Briggs & Stratton Power Products est une marque de commerce
enregistrée sous Briggs & Stratton Corporation
Milwaukee, WI, É.-U.

Table des matières

Sécurité de l'opérateur	4
Description de l'équipement	4
Informations importantes de sécurité	4
Montage	7
Nettoyeur haute pression électrique déballé	7
Avant de mettre en marche	7
Assemblage de la pièce principale	8
Lubrifiez les joints toriques	9
Raccordez les tuyaux et l'alimentation d'eau	10
Raccordez le tube et les embouts du vaporisateur	10
Liste de vérification avant de démarrer le moteur pompe	11
Entre tien des appareils à isolation double	11
Fonctions et commandes	12
Fonctionnement	13
Comment démarrer votre nettoyeur haute pression électrique	13
Comment arrêter votre nettoyeur haute pression électrique	14
Comment utiliser les embouts de vaporisation	14
Application de détergent	15
Rinçage au nettoyeur haute pression électrique	15
Fonctionnement du gonfleur électrique	16
Entretien	17
Recommandations générales	17
Entretien du nettoyeur haute pression électrique	17
Entretien des embouts de vaporisation	18
Entretien du moteur et de la pompe	18
Après chaque utilisation	19
Entreposage hivernal ou de longue durée	19
Procédures initiales d'entreposage	19
Protection de la pompe	19
Procédures finales d'entreposage	19
Dépannage	20
Garanties	21
Caractéristiques du produit	24

Sécurité de l'opérateur

CONSERVEZ CES DIRECTIVES

Description de l'équipement

▲ AVERTISSEMENT L'omission de lire et de se conformer au manuel de l'utilisateur et à toutes les directives d'utilisation avant d'utiliser le produit peut entraîner la mort, des blessures graves et des dommages matériels.

- Lisez ce manuel attentivement et prenez bonne connaissance de votre nettoyeur haute pression électrique. Apprenez ces applications, ses limitations ainsi que tous risques impliqués.

Le nettoyeur haute pression électrique fonctionne à 1700 PSI (117,2 BARS) à un débit de 1,3 gallons par minute (4,9 litres par minute).

Nous nous sommes efforcés de nous assurer que les informations contenues dans ce manuel soient exactes et actualisées. Toutefois, nous nous réservons le droit de changer, de modifier ou même d'améliorer le produit et ce document à tout moment sans préavis de notre part.

Protection par disjoncteur de fuite à la terre

Cet appareil doit être correctement mis à la terre. Ce nettoyeur haute pression est muni d'un interrupteur de fuite à la terre intégré dans la fiche du cordon d'alimentation. Ce dispositif procure une protection supplémentaire contre les risques de choc électrique. Si le remplacement de la fiche ou du cordon est nécessaire, veuillez utiliser des pièces de rechange identiques qui comportent une protection par disjoncteur de fuite à la terre.

Arrêt automatique

Le nettoyeur haute pression électrique est pourvu d'un détecteur qui détecte l'interruption du débit d'eau lorsque la gâchette du pistolet de vaporisation est relâchée ou verrouillée. Le détecteur entraînera l'arrêt du moteur tant que la gâchette du pistolet de vaporisation est relâchée ou verrouillée.

Si le moteur continue à tourner lorsque la gâchette du pistolet de vaporisation est relâchée ou verrouillée, N'UTILISEZ PAS LA MACHINE. Appelez la ligne d'assistance pour nettoyeur haute pression électrique en composant le **(800) 743-4115** pour obtenir de l'aide.

AVIS Le nettoyeur haute pression électrique est pourvu d'un interrupteur de mise en marche. L'interrupteur doit toujours être mis sur la position d'arrêt (O) lorsque le nettoyeur haute pression électrique n'est pas utilisé afin de prévenir des dommages éventuels.

Surcharge du moteur

Le moteur électrique sur ce nettoyeur haute pression électrique est équipé d'un dispositif de protection contre la surcharge (thermostat). Ce dispositif arrêtera automatiquement le moteur si le moteur surchauffe ou tire trop de courant.

Si le dispositif de protection contre la surcharge bascule, débrancher l'alimentation de courant en tournant le principal interrupteur de mise en marche à la position d'arrêt (O).

Laissez l'appareil refroidir pendant 30 minutes. Ensuite tournez l'interrupteur principal de mise en marche sur la position de marche (—) pour remettre en marche.

Informations importantes de sécurité

Veuillez lire et comprendre tout ce manuel avant de tenter d'assembler, d'opérer ou de réparer cet appareil. Veuillez suivre les instructions d'entretien dans ce manuel. Si vous avez des questions à propos de cet appareil, veuillez appeler le service à la clientèle en composant le **800-743-4115**, entre 8 h et 17 h, HNC, du lundi au vendredi.

Renseignements et symboles de sécurité



Manuel d'Utilisation



Choc électrique



Feu



Surface glissante



Chute



Injection Fluide



Projectile



Objets volants



Éclatement



Brûlure chimique

▲ Le symbole d'alerte de sécurité indique un risque de blessure corporelle possible. Un mot-indicateur (DANGER, AVERTISSEMENT ou MISE EN GARDE) est utilisé avec le symbole d'alerte pour indiquer la probabilité ou la gravité du danger. Un symbole de danger peut être utilisé pour représenter le type de danger. Le mot-indicateur AVIS est utilisé pour faire référence aux conditions d'utilisation non associées à des dommages corporels.

▲ **DANGER** indique un danger qui, si non évité, *résultera* à la mort ou blessure grave.

▲ **AVERTISSEMENT** indique un danger qui, si non évité, *peut* résulter à la mort ou blessure grave.

▲ **MISE EN GARDE** indique un danger qui, si non évité, *peut* résulter à une blessure mineure.

AVIS conditions d'utilisations non associées à des dommages corporels.

Pour obtenir des instructions sur la mise à la terre, vous reporter à la section Assemblage.

▲ AVERTISSEMENT Risque d'électrocution. L'utilisation d'une rallonge peut causer un choc électrique et des brûlures pouvant entraîner la mort et des blessures graves.

- N'utilisez PAS une rallonge avec ce nettoyeur à haute pression électrique. Les prises du circuit électrique de votre maison ou une rallonge peuvent ne pas fournir une protection de survie de coupure de circuit contre les défauts de terre.

▲ AVERTISSEMENT Risque de blessures corporelles ou oculaires. La pulvérisation peut éclabousser, propulser des objets ou provoquer des dommages internes entraînant des blessures sévères.



- Portez toujours des lunettes de protection avec une ventilation indirecte (éclaboussures de produits chimiques) conformément à la norme ANSI Z28.1 lorsque vous utilisez ou que vous êtes à proximité de cet équipement. Ne substituez JAMAIS les lunettes de protection avec une ventilation indirecte par des lunettes de protection régulières.
- Apprenez à arrêter le nettoyeur à haute pression et à libérer la pression rapidement. Maîtrisez les commandes.
- NE permettez PAS à des ENFANTS d'utiliser le nettoyeur haute pression électrique.
- Gardez la zone d'utilisation libre de toute personne.
- Inspectez le tuyau de haute pression avant chaque utilisation. NE réparez JAMAIS le tuyau de haute pression.
- NE réparez PAS les raccords ayant des fuites avec un produit d'étanchéité d'aucune sorte; remplacez les joints d'étanchéité et les joints toriques.
- Gardez le tuyau de haute pression raccordé à la pompe et au pistolet de vaporisation lorsque le système est sous pression.
- Pointez TOUJOURS le pistolet de vaporisation dans une direction sécuritaire lorsque le système est sous pression et serrez la gâchette du pistolet de vaporisation pour relâcher la haute pression à chaque fois que vous éteignez l'appareil.
- NE visez PAS des gens ou des animaux avec le pistolet de vaporisation.
- NE buvez PAS à même les accessoires raccordés au tuyau.
- NE fixez PAS le pistolet de vaporisation dans une position ouverte.
- NE laissez PAS le pistolet de vaporisation sans surveillance lorsque le nettoyeur haute pression électrique est à la position MARCHÉ (—).
- N'utilisez PAS le pistolet de vaporisation si un verrouillage ou un protecteur de gâchette n'est pas en place et en bon état de fonctionnement.
- Toujours vous assurez que le pistolet de vaporisation et les accessoires sont bien fixés.
- Restez alerte - observez ce que vous faites.
- N'utilisez PAS cet appareil si vous êtes fatigué ou sous l'influence d'alcool ou de drogues.
- Une supervision étroite est requise lorsque ce produit est utilisé près des enfants.

▲ AVERTISSEMENT Risque d'électrocution. Le contact avec les deux conducteurs d'alimentation simultanément peut provoquer un choc électrique entraînant des blessures sévères voire la mort.



- Branchez uniquement dans une prise ayant une mise à la terre adéquate. Ne retirez PAS la broche de la mise à la terre de la fiche.
- Inspectez le cordon d'alimentation avant chaque utilisation, NE l'utilisez PAS si celui-ci est endommagé.
- Ce produit est muni d'un interrupteur de fuite à la terre intégré dans la fiche du cordon d'alimentation. Si le remplacement de la fiche ou du cordon est nécessaire, veuillez utiliser des pièces de rechange identiques.
- Gardez tous les branchements secs et hors du sol.
- NE touchez PAS la fiche avec les mains mouillées.
- N'acheminez PAS le cordon d'alimentation par les portes, les fenêtres, les trous dans les plafonds, les murs ou les planchers.
- NE marchez PAS sur le cordon d'alimentation.
- NE conduisez pas, ne placez pas et ne tirez pas des objets sur le cordon d'alimentation.
- NE vaporisez PAS près d'une source d'alimentation.

▲ AVERTISSEMENT L'utilisation du nettoyeur haute pression électrique peut créer des flaques d'eau et des surfaces glissantes.



- Risque de rebond. Le pistolet de vaporisation peut créer un effet de rebond qui peut provoquer votre chute et entraîner des blessures sévères voire la mort.
- Utilisez le nettoyeur haute pression électrique sur une surface stable.
 - Ne tentez pas d'atteindre trop loin ni de vous tenir sur un support instable. Maintenez une bonne garde d'équilibre en tout temps.
 - La zone de nettoyage devrait avoir des pentes adéquates et un bon drainage afin de réduire la possibilité de chutes en raison des surfaces glissantes.
 - Soyez très prudent si vous devez utiliser le nettoyeur haute pression électrique à partir d'une échelle, d'une plate-forme ou de tout autre emplacement semblable.
 - Agrippez fermement le pistolet de vaporisation avec les deux mains lorsque vous utilisez les modes de vaporisation haute pression afin d'éviter des blessures lorsque le pistolet de vaporisation crée l'effet de rebond.

▲ AVERTISSEMENT Le jet d'eau haute pression que cet équipement produit peut transpercer la peau et ses tissus sous-jacents, entraînant des blessures sévères et même l'amputation.

Le pistolet de vaporisation emprisonne une grande pression d'eau, même lorsque le moteur est arrêté et l'eau est déconnectée, ce qui peut entraîner des blessures sévères.

- NE dirigez JAMAIS le pistolet de vaporisation en direction des gens, des animaux ou des plantes.
- Pointez TOUJOURS le pistolet de vaporisation dans une direction sécuritaire, serrez la gâchette du pistolet de vaporisation pour relâcher la haute pression à chaque fois que vous fermez le nettoyeur haute pression.

▲ AVERTISSEMENT Risque de brûlures par produits chimiques.



Les produits chimiques peuvent provoquer des brûlures qui peuvent entraîner des blessures sévères voire la mort.

- Portez toujours des lunettes de protection avec une ventilation indirecte (éclaboussures de produits chimiques) conformément à la norme ANSI Z28.1 lorsque vous utilisez des produits chimiques.
- Ne substituez JAMAIS les lunettes de protection avec une ventilation indirecte par des lunettes de protection régulières.
- N'utilisez PAS une solution caustique avec le nettoyeur haute pression électrique.
- Utilisez UNIQUEMENT des détergents ou savons qui sont conçus pour le nettoyeur haute pression. Suivez toutes les directives des fabricants.

▲ AVERTISSEMENT Risque d'éclatement. L'air sous haute pression peut provoquer des blessures sévères voire la mort.

- Suivez les directives du fabricant indiquées sur les articles pour éviter le surgonflage.
- N'utilisez que les pièces pneumatiques recommandées pouvant tolérer des pressions supérieures à 250 PSI.
- Ne laissez pas le gonfleur sans supervision lorsqu'il fonctionne.
- Ne pas utiliser une pression supérieure à 100 PSI.
- Jauge de pression d'air aux fins de référence uniquement.
- Toujours vérifier les articles à gonfler au moyen d'une jauge étalonnée afin de déterminer la pression actuelle.
- Gonfler des articles de 10 PSI ou moins, gonfler par à-coups et en vérifiant la pression avec la jauge étalonnée.

▲ AVERTISSEMENT Risque d'incendie. La vaporisation de liquides inflammables peuvent provoquer des blessures sévères voire la mort.

- Ne vaporisez PAS des liquides inflammables.

▲ AVERTISSEMENT Risque d'incendie. La surchauffe du cordon d'alimentation peut provoquer des blessures sévères voire la mort.

- Déroulez complètement le cordon d'alimentation avant l'utilisation.
- Ne couvrez PAS le cordon d'alimentation avec aucun matériau.

▲ AVERTISSEMENT Cet appareil contient du plomb et des composants de plomb, reconnus par l'État de Californie, pour provoquer le cancer, les malformations fœtales ou autres problèmes de reproduction. *Veillez laver vos mains après avoir manipulé cet appareil.*

AVIS Le jet à haute pression risque d'endommager les articles fragiles, notamment le verre.

- NE PAS diriger le pistolet de pulvérisation vers les vitres lorsque la buse rouge 0° est utilisée.
- N'visez jamais des plantes avec le pistolet pulvérisateur.

AVIS Un mauvais traitement du nettoyeur haute pression électrique pourrait l'endommager et réduire sa durée de vie utile.

- Si vous avez des questions sur l'usage prévu, demandez à votre concessionnaire ou prenez contact avec le service de réparation agréé.
- NE PAS opérer un appareil dont les pièces sont brisées ou manquantes, ni sans les protections ou les revêtements.
- NE PAS contourner un dispositif de sécurité sur le nettoyeur haute pression électrique.
- NE PAS altérer d'aucune façon le nettoyeur haute pression.
- Avant de démarrer le nettoyeur haute pression électrique par temps froid, vérifiez toutes les pièces d'équipement afin de s'assurer qu'aucune glace ne s'est formée.
- NE PAS déplacer le nettoyeur haute pression électrique en tirant sur les tuyaux. Déplacez l'appareil en utilisant la poignée de transport fournie.
- Utilisez SEULEMENT des accessoires de marque prévus pour l'utilisation avec cet appareil.

Montage



Veillez lire le manuel de l'opérateur au complet avant de tenter d'assembler ou d'opérer votre nouveau nettoyeur haute pression électrique.

Votre nettoyeur haute pression électrique nécessite un peu d'assemblage, mais il est presque prêt à utiliser. Si vous avez des problèmes avec l'assemblage de votre nettoyeur haute pression électrique, veuillez appeler la ligne d'assistance du nettoyeur haute pression électrique en composant le **800-743-4115**. Si vous appelez pour obtenir de l'aide, veuillez avoir sous la main le numéro du modèle, de révision et de série indiqués sur l'étiquette d'identification.

Outils requis

- Tournevis n° 2
- Pincés à becs

Articles non inclus

- Boyau d'arrosage

Nettoyeur haute pression électrique déballé

1. Retirez tout de la caisse.
2. Assurez-vous d'avoir tous les articles avant de commencer l'assemblage.

Articles inclus dans le carton

- Principale unité
- Poignée
- Plateau à accessoires
- Roues (2)
- Réservoir de détergent
- Pied de stabilité
- Vis (6)
- Pistolet de vaporisation
- Tuyau haute pression
- Tube turbo
- tube métallique (1) et embouts (3)
- Sac de pièces (qui comprend ce qui suit) :
 - Joints toriques, réserve : 2 pour pistolet de vaporisation; 2 grands et 2 petits pour le tuyau haute pression
 - Manuel d'utilisation
 - Carte d'enregistrement du propriétaire

Vérifiez le contenu. Si des pièces manquaient ou étaient endommagées, veuillez appeler la ligne d'assistance pour nettoyeur haute pression électrique en composant le **800-743-4115**.

Découvrez chaque composant avant d'assembler le nettoyeur haute pression électrique. Identifiez le contenu avec l'illustration figurant sous *Caractéristiques et contrôles*.

Avant de mettre en marche

1. Veuillez remplir et envoyer la carte d'enregistrement.
2. Veuillez lire et exécuter les directives suivantes tout en portant une attention particulière aux avertissements et aux avis.

AVIS Brancher UNIQUEMENT à une source d'eau capable de fournir au moins 3 gpm (11,4 l) à au moins 20 psi (1,38 bars) au bout du boyau d'arrosage allant au nettoyeur haute pression électrique. Inspectez soigneusement tout l'équipement, les tuyaux et les accessoires avant chaque utilisation, NE PAS utiliser si endommagé.

- Utiliser SEULEMENT des accessoires de marque prévus pour l'utilisation avec cet appareil.
- Pour une performance optimale, NE PAS utiliser un boyau d'arrosage qui dépasse une longueur de 50 pieds.
- Remplacer uniquement par des pièces d'équipement d'origine.
- Pour commander, composez le **800-743-4115** ou visitez BRIGGSandSTRATTON.COM.

Assemblage de la pièce principale

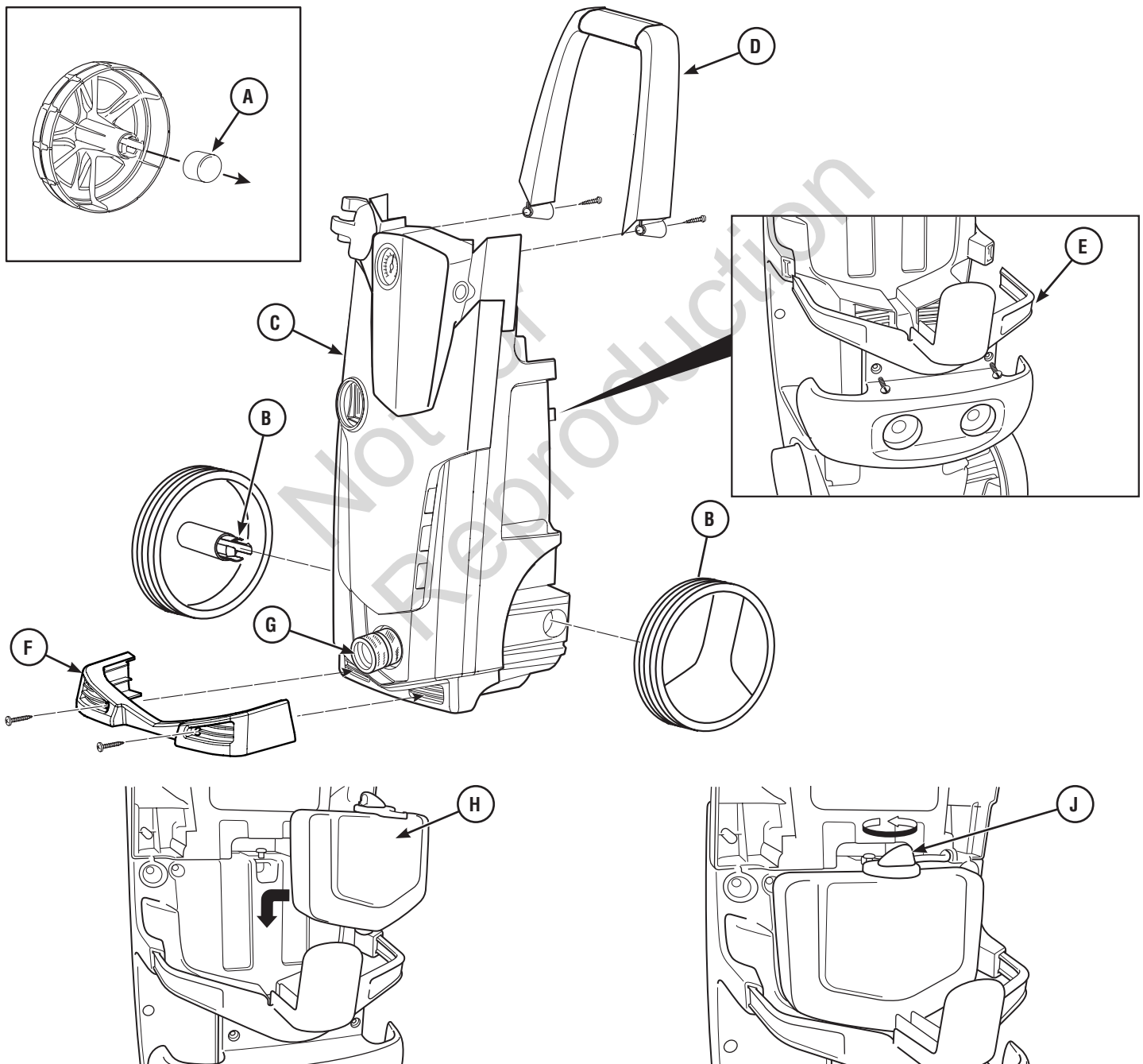
Lorsque vous exécutez les procédures d'assemblage suivantes, veuillez porter une attention particulière à l'illustration au bas de cette page.

1. Retirez et jetez le bouchon de protection (A) de chaque essieu de roue.

AVIS Il se peut que, pendant le transport, les languettes de roue aient été repoussées vers l'intérieur. Si c'est le cas, redirigez doucement les languettes vers l'extérieur.

2. Glissez les arbres de roue (B) dans les trous sur les côtés de la pièce principale (C). Les roues sont bien installées lorsque vous entendez un DÉCLIC et elles sont fermement en place.
3. Glissez la poignée (D) dans les fentes en haut de la pièce principale. Installez deux (2) vis pour fixer la poignée à la pièce principale.

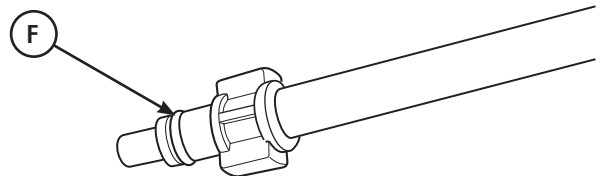
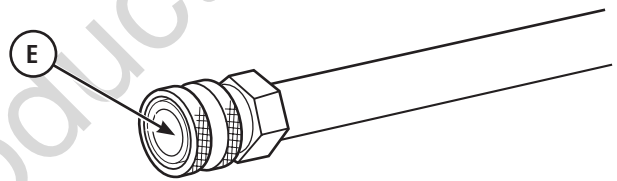
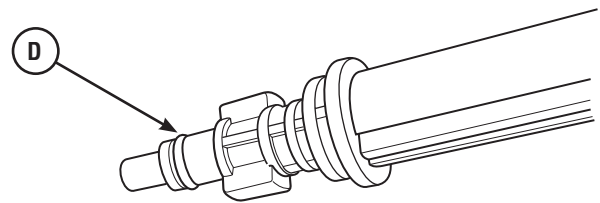
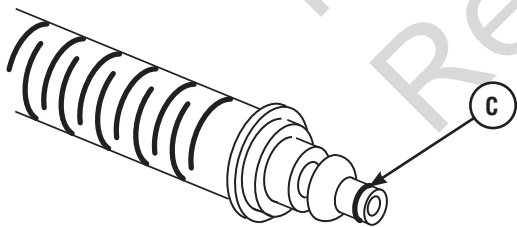
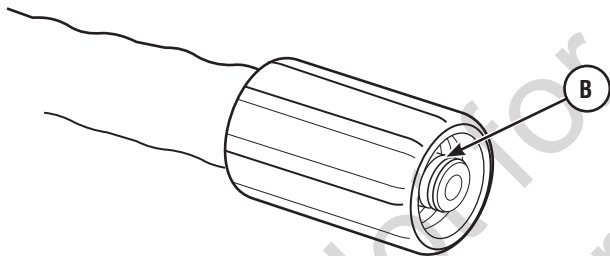
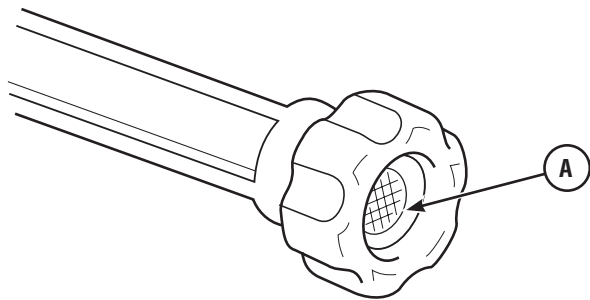
4. Glissez le plateau d'accessoires (E) dans les fentes à l'arrière de la pièce principale. Installez deux (2) vis pour fixer le plateau d'accessoires à la pièce principale.
5. Installez le pied stabilisateur (F), le cas échéant, et fixez au moyen de deux vis.
6. Vérifiez que le joint en caoutchouc noir (G) est installé dans l'entrée d'eau se trouvant à la partie inférieure avant de l'appareil.
7. Placez la bouteille de détergent (H) sur la tablette à l'arrière de l'appareil.
8. Tournez le bouchon de la bouteille de détergent (J) dans le sens antihoraire jusqu'il s'engage dans l'onglet de retenue. Assurez-vous que l'extrémité du boyau d'aspiration touche le fond de la bouteille.



Lubrifiez les joints toriques

La lubrification des joints toriques est très importante pour l'installation et le fonctionnement. L'utilisation d'un lubrifiant (pétrole ou graisse synthétique) pendant l'assemblage contribue à faire asseoir correctement les joints toriques et améliore le joint. Cela aide également à protéger le joint torique contre les dommages causés par l'abrasion, le pincement, les coupures et prolonge la durée de vie du joint torique.

AVIS Enduisez TOUJOURS une petite quantité de lubrifiant sur les joints toriques avant d'assembler le boyau d'arrosage à la pompe (A), tuyau haute pression (extrémité pompe) (B), tuyau haute pression (extrémité pistolet) (C), tube turbo (extrémité pistolet) (D), tube métallique (extrémité embout pulvérisateur) (E) et tube métallique (extrémité pistolet) (F).



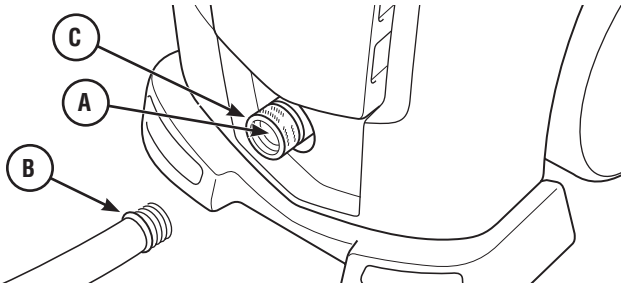
Lubrifiez tous les raccords illustrés ci-dessous, en suivant ces directives :

1. Inspectez et nettoyez les surfaces de raccordement avant de lubrifier et d'assembler.
2. Utilisez les lubrifiants de manière parcimonieuse pendant l'assemblage; un léger film suffit.
3. Utilisez une petite brosse ou un coton-tige pour appliquer de la graisse directement sur les joints toriques où ils ne sont pas accessibles (raccord QC, raccord M22).

Raccordez les tuyaux et l'alimentation d'eau

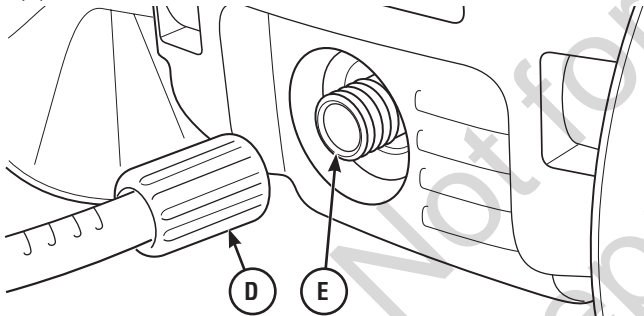
AVIS Utilisez UNIQUEMENT de l'eau froide (moins de 38°F).

1. Fixez le boyau d'arrosage (maximum 50 pieds - 15,24 m) à l'alimentation d'eau.
2. Faites couler de l'eau dans le boyau d'arrosage pendant 30 secondes afin de rincer tout débris dans le tuyau. Fermer l'eau.
3. Vérifiez que le joint en caoutchouc noir (A) est installé dans l'entrée d'eau se trouvant à la partie inférieure avant de l'appareil.

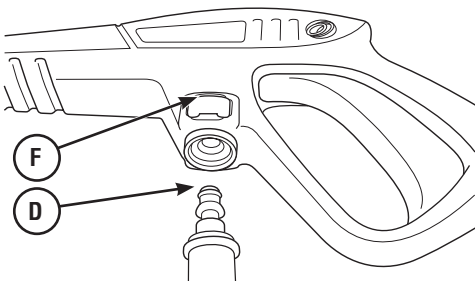


AVIS NE PAS faire marcher la pompe si l'alimentation d'eau n'est pas raccordée et ouverte.

- Un dommage à l'équipement résultant du défaut de suivre cette directive annulera la garantie.
4. Fixez l'extrémité opposée du tuyau d'arrosage (B) au raccordement d'entrée d'eau (C). Serrer à la main.
 5. Fixez le tuyau haute pression (D) à la sortie d'eau de l'appareil (E) se trouvant au bas derrière l'appareil. Serrer à la main.

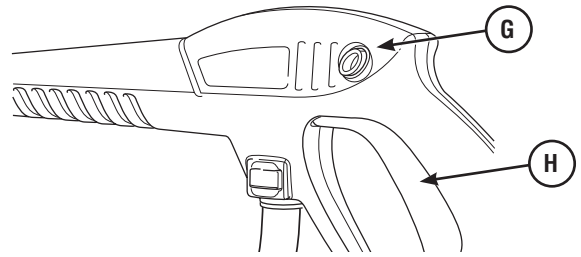


6. Fixez l'extrémité opposée du tuyau de haute pression au pistolet de vaporisation. Appuyez sur le bouton rouge (F) sur le pistolet de vaporisation, puis insérez l'extrémité du tuyau haute pression (D) dans le pistolet jusqu'à ce qu'il s'ENCLENCHE. Relâchez le bouton rouge et assurez-vous que le raccordement est bien fixé.

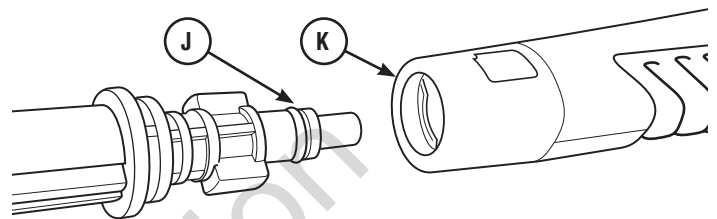


Raccordez le tube et les embouts du vaporisateur

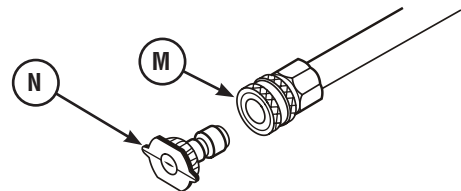
1. Ouvrez l'eau, pointez le pistolet dans une direction sûre, appuyez sur la détente de la gâchette (G), ensuite pressez la gâchette (H) pour purger les impuretés et l'air du système de la pompe et du pistolet de vaporisation.



2. Insérez et tournez le tube (J) dans le pistolet de vaporisation (K). Une fois que le tube glisse dans le pistolet, appliquez une pression vers l'intérieur et tournez d'un quart de tour dans le sens horaire jusqu'à ce qu'il soit bien en place.



3. Lorsque le tube métallique est installé, sélectionnez l'embout de vaporisation que vous voulez utiliser. Tirez sur le collet du tube (M), insérez l'embout de vaporisation (N) et relâchez le collet. Tirez sur l'embout de vaporisation pour vérifier qu'il est fermement en place. Vous reporter à la rubrique *Comment utiliser les embouts de vaporisation*.



4. Fermez l'eau et relâchez la gâchette. Pointez le pistolet dans une direction sûre et assurez-vous qu'on ne peut presser la gâchette.

Liste de vérification avant de démarrer le moteur pompe

Examinez l'assemblage de l'appareil afin de vous assurer que tout ce qui suit a été exécuté.

1. Assurez de lire la rubrique *Sécurité de l'opérateur et fonctionnement* avant d'utiliser le nettoyeur haute pression électrique.
2. Vérifiez que les raccordements de tuyau sont bien serrés.
3. Vérifiez qu'il n'y a pas de coudes, coupures ou dommages aux tuyaux.
4. Procurez une bonne alimentation d'eau à un débit adéquat (ne devant pas dépasser 38 °C).
5. Branchez le cordon électrique dans une source électrique adéquatement mise à la terre.

Entre tien des appareils à isolation double

Dans un produit à isolation double, on retrouve deux systèmes d'isolation au lieu de la mise à la terre. Il n'y a pas de dispositif de mise à la terre sur un produit à isolation double, ni de dispositif pour l'ajout de la mise à la terre. L'entretien de produit à isolation double exige une grande attention et une excellente connaissance du système et ne doit être effectué que par du personnel d'entretien qualifié. Les pièces de rechange d'un produit à isolation double doivent être identiques aux pièces remplacées. Les mots suivants sont inscrits sur les produits à isolation double : « DOUBLE ISOLATION » ou « ISOLATION DOUBLE ».

Le symbole  signifie APPAREIL À ISOLATION DOUBLE.

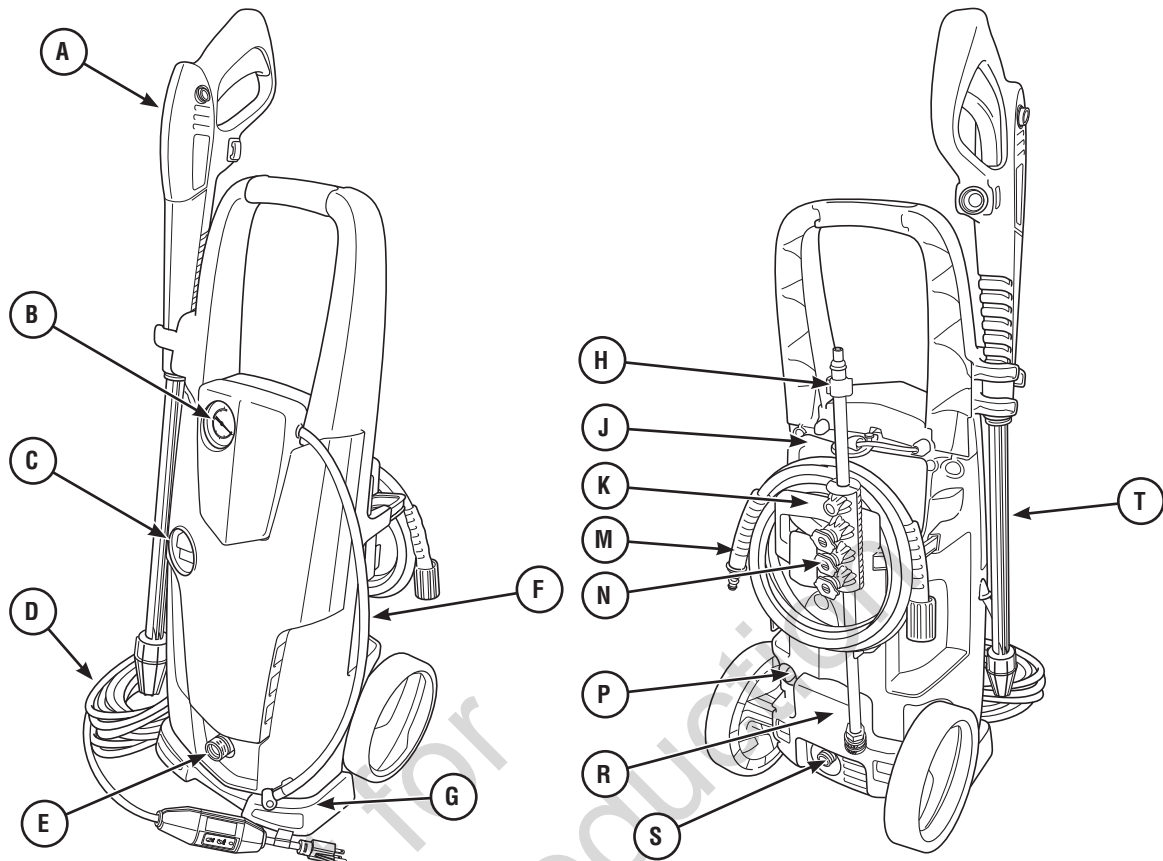
Not for
Reproduction

Fonctions et commandes



Veillez lire le manuel d'utilisation et les consignes de sécurité avant d'utiliser votre nettoyeur haute pression électrique.

Comparez les illustrations avec votre nettoyeur haute pression électrique pour vous familiariser avec l'emplacement de différents ajustements et commandes. Conservez ces instructions pour référence future.



- A - Pistolet de vaporisation** - Contrôle l'application de l'eau sur la surface à nettoyer avec la gâchette. Comprend un verrouillage de la gâchette.
- B - Jauge de pression** — Indique la quantité de pression d'air dans l'objet étant gonflé.
- C - Interrupteur principal à bascule de marche/arrêt** - Poussez la partie supérieure de l'interrupteur (-) pour mettre en marche le nettoyeur à haute pression. Poussez la partie inférieure de l'interrupteur (=) pour mettre en marche le dispositif de soufflerie. Placez l'interrupteur à la position du centre (O) pour la mise en arrêt de l'appareil.
- D - Cordon électrique avec disjoncteur de fuite à la terre** - Le nettoyeur haute pression électrique ainsi que l'opérateur sont protégés par un interrupteur muni d'un disjoncteur de fuite à la terre.
- E - Entrée de l'alimentation en eau** - Raccordez l'alimentation d'eau en utilisant un boyau d'arrosage d'une longueur maximale de 50 pi (15,24 m).
- F - Boyau d'air** — Utilisé pour gonfler les petits objets gonflables.
- G - Pied stabilisateur** — Stabilise le nettoyeur haute pression lorsqu'il est en position debout.
- H - Tube métallique avec raccord rapide** — Permet d'utiliser trois différents embouts de vaporisation.

- J - Réservoir de détergent** — Utilisé pour aspirer des détergents appropriés pour nettoyeurs haute pression en débit basse pression.
- K - Plateau d'accessoires** — Procure un rangement pratique pour les accessoires standards et facultatifs.
- M - Tuyau haute pression** — Raccorde une extrémité à la sortie d'eau haute pression et l'autre extrémité au pistolet de vaporisation.
- N - Embouts de vaporisation** — Détergent (noir), 0 (rouge) et 15 (orange) pour diverses applications de haute pression.
- P - Nettoyeur pour embout de vaporisation** — Utilisé pour déloger les obstructions et les sédiments des embouts de vaporisation.
- R - Étiquette d'identification** — Fournit le modèle et le numéro de série du nettoyeur haute pression. Veuillez avoir en main ces informations lors d'un appel pour obtenir de l'aide.
- S - Sortie d'eau haute pression** — Raccordement pour le tuyau haute pression.
- T - Tube turbo** — Fournit un tourbillon de jet d'eau puissant pour un nettoyage intensif.

Articles non montrés:

Étiquettes d'avertissement - Identifient les risques à éviter lors de l'utilisation de votre nettoyeur haute pression.

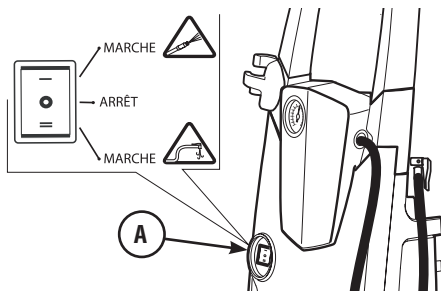
Fonctionnement

Comment démarrer votre nettoyeur haute pression électrique

Suivez les directives ci-dessous dans l'ordre présenté. Si vous avez des problèmes concernant l'utilisation de votre nettoyeur haute pression électrique, veuillez appeler la ligne d'assistance du nettoyeur haute pression électrique en composant le **800-743-4115**.

⚠ AVERTISSEMENT Risque de blessures oculaires. La pulvérisation peut éclabousser ou propulser des objets qui peuvent entraîner des blessures sévères. Portez toujours des lunettes de protection avec une ventilation indirecte (éclaboussures de produits chimiques) conformément à la norme ANSI Z28.1 lorsque vous utilisez ou que vous êtes à proximité de cet équipement. Ne substituez JAMAIS les lunettes de protection avec une ventilation indirecte par des lunettes de protection régulières.

1. Placez le nettoyeur haute pression électrique près d'une source d'eau extérieure capable de fournir l'eau à un débit supérieur à 3 gallons par minute (11,4 l) et à une pression d'au moins 20 psi (1,38 bars) à l'extrémité du boyau d'arrosage du nettoyeur haute pression électrique. **NE PAS** aspirer l'alimentation en eau.
 2. Raccordez le boyau d'arrosage à l'entrée d'eau.
 3. Vérifiez que le tuyau haute pression est raccordé fermement au pistolet de vaporisation. Reportez-vous à *Raccordez les tuyaux et l'alimentation d'eau* pour les illustrations.
- AVIS** NE PAS faire marcher la pompe si l'alimentation d'eau n'est pas raccordée et ouverte.
- Un dommage à l'équipement résultant du défaut de suivre cette directive annulera la garantie.
4. Ouvrez l'alimentation en eau, pointez le pistolet dans une direction sécuritaire, appuyez sur le bouton de verrouillage de la gâchette et serrez la gâchette pour purger l'air de la pompe.
 5. Enlevez toute saleté ou matière étrangère des embouts de vaporisation. Installez le tube et l'embout de vaporisation souhaités sur le pistolet de vaporisation. Reportez-vous à *Raccordez les tuyaux et l'alimentation d'eau* et *Comment utiliser les embouts de vaporisation* pour de plus amples détails.
 6. Poussez sur l'interrupteur principal de mise en marche (A) à la position ARRÊT (0).

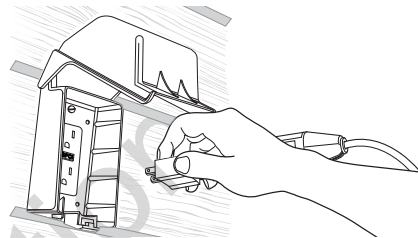


⚠ AVERTISSEMENT Risque d'électrocution. L'utilisation d'une rallonge peut causer un choc électrique et des brûlures pouvant entraîner la mort et des blessures graves.

- N'utilisez PAS une rallonge avec ce nettoyeur à haute pression électrique. Les prises du circuit électrique de votre maison ou une rallonge peuvent ne pas fournir une protection de survie de coupure de circuit contre les défauts de terre.

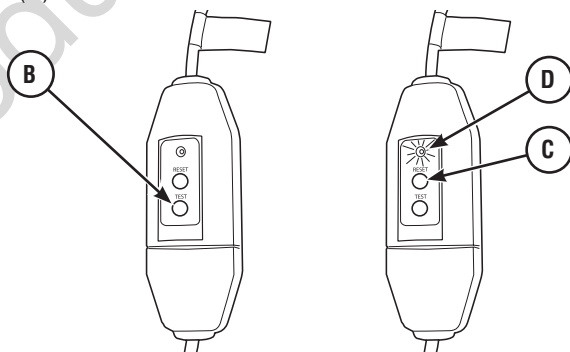
7. Branchez le cordon d'alimentation électrique dans un circuit électrique de 120 volts à 15 A qui est bien installé et mis à la terre selon la réglementation locale. Le témoin lumineux sur le disjoncteur de fuite à la terre devrait s'allumer.

⚠ AVERTISSEMENT Risque d'électrocution. Un disjoncteur de fuite de terre (GFCI) non fonctionnel pourrait entraîner la mort ou des blessures sévères. Si le témoin lumineux ne demeure pas allumé après le test et la réinitialisation, n'utilisez pas le GFCI.



AVIS Le témoin lumineux doit être visible pour que le nettoyeur haute pression électrique fonctionne.

8. Appuyez sur le bouton TEST (essai) (B). Le témoin lumineux (D) devrait s'éteindre.



9. Appuyez sur le bouton RESET (réinitialiser) (C). Le témoin lumineux (D) devrait s'allumer.

AVIS NE PAS utiliser le nettoyeur haute pression électrique si les tests ont échoués.

10. Appuyez sur l'interrupteur principal de mise en marche (A) à la position MARCHÉ (—) du nettoyeur haute pression.

▲ AVERTISSEMENT Risque de rebond.



Le pistolet de vaporisation peut créer un effet de rebond qui peut provoquer votre chute et entraîner des blessures sévères voire la mort.

- Utilisez le nettoyeur haute pression électrique sur une surface stable.
- Soyez très prudent si vous devez utiliser le nettoyeur haute pression électrique à partir d'une échelle, d'une plate-forme ou de tout autre emplacement semblable.
- Agrippez fermement le pistolet de vaporisation avec les deux mains lorsque vous utilisez les modes de vaporisation haute pression afin d'éviter des blessures lorsque le pistolet de vaporisation crée l'effet de rebond.

11. Pointez le pistolet dans une direction sûr, appuyez sur le bouton de verrouillage de la gâchette et serrez la gâchette. Le moteur du nettoyeur haute pression électrique démarrera et s'arrêtera lorsque la gâchette du pistolet de vaporisation est enfoncée et relâchée.

Le nettoyeur haute pression électrique est maintenant prêt à être utilisé. Les directives pour l'utilisation des accessoires fournis sont décrites plus loin dans cette section.

Comment arrêter votre nettoyeur haute pression électrique

Le moteur du nettoyeur haute pression électrique fonctionne seulement lorsque la gâchette est enclenchée. Pour arrêter le nettoyeur haute pression électrique et éteindre le moteur :

1. Relâchez la gâchette du pistolet de vaporisation.
2. Poussez sur l'interrupteur principal de mise en marche à la position ARRÊT (O).

AVIS Le relâchement de la gâchette éteindra le moteur, mais ne coupe pas l'alimentation électrique à l'appareil.

3. Fermez l'alimentation d'eau.
4. Pointez TOUJOURS le pistolet de vaporisation dans une direction sécuritaire, puis serrez la gâchette du pistolet de vaporisation pour relâcher l'accumulation de pression dans l'appareil.

▲ AVERTISSEMENT Le jet d'eau haute pression que cet équipement produit peut transpercer la peau et ses tissus sous-jacents, entraînant des blessures sévères et même l'amputation.

Le pistolet de vaporisation emprisonne une grande pression d'eau, même lorsque le moteur est arrêté et l'eau est déconnectée, ce qui peut entraîner des blessures sévères.

- Gardez le tuyau haute pression raccordé à la pompe et au pistolet de vaporisation lorsque le système est sous pression.
- Pointez TOUJOURS le pistolet de vaporisation dans une direction sécuritaire, serrez la gâchette du pistolet de vaporisation pour relâcher la haute pression à chaque fois que vous fermez le nettoyeur haute pression.

5. Débranchez la prise à interrupteur de fuite à la terre et enrroulez le cordon d'alimentation.
6. Pour rincer le réservoir de détergent (le cas échéant), retirez-le du nettoyeur haute pression, puis videz toute solution restante.

7. Rincez la bouteille à détergent avec de l'eau propre et réinstallez-la sur le nettoyeur haute pression.
8. Enroulez et rangez le cordon d'alimentation, le tuyau à haute pression et les accessoires sur le plateau pour accessoires. Rangez le pistolet de pulvérisation sur le support du côté de l'appareil.

Comment utiliser les embouts de vaporisation

Vous devez maintenant savoir comment DÉMARRER et ARRÊTER votre nettoyeur haute pression électrique. Si vous ne le savez pas, veuillez vous reporter à la section précédente afin d'apprendre comment DÉMARRER et ARRÊTER le système avant de continuer.

Le raccord rapide sur le tube métallique vous permet de changer entre les trois différents embouts de vaporisation à raccord rapide. Les embouts de vaporisation peuvent être changés pendant que le nettoyeur haute pression fonctionne, une fois que le verrouillage de la gâchette du pistolet de vaporisation est enclenché. Les embouts de vaporisation procurent différentes méthodes de vaporisation telles qu'illustrées.

Suivez les directives ci-après pour changer les embouts de vaporisation :

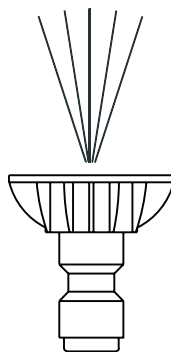
1. Tirez vers l'arrière le collet sur le raccord rapide et retirez l'embout de vaporisation s'y trouvant. Rangez les embouts de vaporisation dans le support fourni sur le tube métallique.

▲ AVERTISSEMENT Le jet d'eau haute pression que cet équipement produit peut transpercer la peau et ses tissus sous-jacents, entraînant des blessures sévères et même l'amputation.

- N'échangez JAMAIS les embouts de vaporisation sans enclencher le verrouillage de la gâchette sur le pistolet de vaporisation.
- NE tournez PAS les embouts de vaporisation pendant la vaporisation.

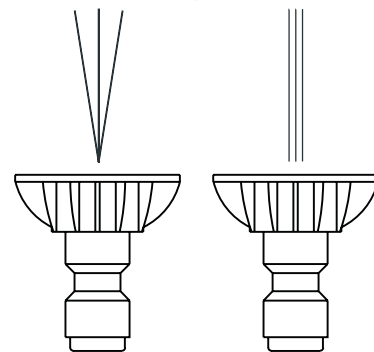
2. Sélectionnez l'embout de vaporisation souhaité :
 - Pour un rinçage général, sélectionnez l'embout de vaporisation orange 15°.
 - Pour récurer une surface, sélectionnez l'embout de vaporisation rouge 0°.
 - Pour appliquer un détergent, sélectionnez l'embout de vaporisation noir.

Basse pression



Noir
Utilisez pour appliquer le détergent

Haute pression



15° orange
1300 PSI
1.3 GPM


0° rouge
1700 PSI
1.0 GPM

3. Tirez vers l'arrière le collet, insérez l'embout de vaporisation sélectionné, puis relâchez le collet. Tirez sur l'embout de vaporisation pour vérifier qu'il est fermement en place.

Utilisation des embouts

- Pour un nettoyage plus efficace, gardez l'embout de vaporisation à une distance entre 8 et 24 pouces (20 et 60 cm) de la surface à nettoyer.
- Si l'embout de vaporisation est trop près, particulièrement lors de l'utilisation de l'embout de vaporisation haute pression, vous pouvez endommager la surface à nettoyer.
- Ne vous approchez pas à moins de 6 pouces (15 cm) lors de nettoyage de pneus.

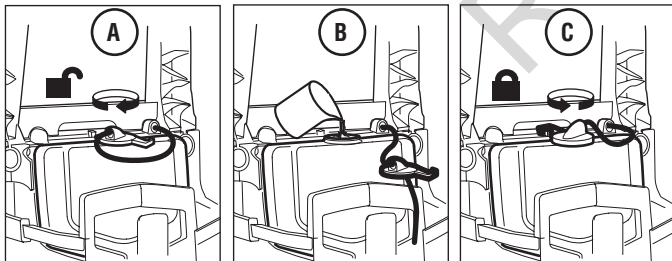
Application de détergent

▲ AVERTISSEMENT Risque de brûlures par produits chimiques.
 Les produits chimiques peuvent provoquer des brûlures qui peuvent entraîner des blessures sévères voire la mort.

- Portez toujours des lunettes de protection avec une ventilation indirecte (éclaboussures de produits chimiques) conformément à la norme ANSI Z28.1 lorsque vous utilisez des produits chimiques.
- Ne substituez JAMAIS les lunettes de protection avec une ventilation indirecte par des lunettes de protection régulières.
- N'utilisez PAS une solution caustique avec le nettoyeur haute pression électrique.
- Utilisez UNIQUEMENT des détergents ou savons qui sont conçus pour le nettoyeur haute pression. Suivez toutes les directives des fabricants.

Pour appliquer un détergent, suivez les étapes suivantes :

1. Revoyez l'utilisation des embouts de vaporisation indiquée sous *Comment utiliser les embouts de vaporisation*.
2. Préparez votre solution de détergent selon le travail à effectuer.
3. Tournez le bouchon du réservoir de détergent (A) dans le sens horaire pour relâcher l'onglet de retenue. Retirez le bouchon de réservoir de détergent (B).



4. Remplir le réservoir d'une solution de détergent (B).
5. Remettez le tuyau d'aspiration et le bouchon dans le réservoir de détergent.
6. Tournez le bouchon de réservoir de détergent (C) dans le sens antihoraire jusqu'il s'engage dans l'onglet de retenue. Assurez-vous que l'extrémité du tuyau d'aspiration touche le fond du réservoir.
7. Assurez-vous que l'embout de vaporisation noir pour détergent est installé.

AVIS Le détergent ne peut être appliqué avec les embouts de vaporisation haute pression (orange et rouge).


8. Assurez-vous que le boyau d'arrosage est raccordé à l'entrée d'eau. Vérifiez que le tuyau haute pression est raccordé au pistolet de vaporisation et à la pompe. Ouvrez l'eau.

AVIS Vous devez raccorder tous les tuyaux avant de démarrer le nettoyeur haute pression.

9. Démarrez le nettoyeur haute pression tel que décrit à la rubrique *Comment démarrer votre nettoyeur haute pression électrique*.
10. Appliquez le détergent sur une surface sèche, en commençant par la partie inférieure à être lavée et travaillez vers le haut en utilisant des parcours longs, uniformes qui se chevauchent.
11. Laissez le détergent pénétrer pendant au moins 3 à 5 minutes avant de laver et de rincer. Au besoin, appliquez de nouveau afin d'empêcher la surface de sécher. Pour empêcher les stries, ne laissez pas le détergent sécher sur la surface.

Rinçage au nettoyeur haute pression électrique

1. Retirez l'embout de vaporisation noir pour détergent du tube métallique.
2. Sélectionnez et installez l'embout de vaporisation haute pression souhaité en suivant les directives à *Comment utiliser les embouts de vaporisation*.
3. Maintenez le pistolet de vaporisation à une distance sécuritaire de la surface que vous prévoyez vaporiser.

▲ AVERTISSEMENT Risque de rebond.
 Le pistolet de vaporisation peut créer un effet de rebond qui peut provoquer votre chute et entraîner des blessures sévères voire la mort.

- Utilisez le nettoyeur haute pression électrique sur une surface stable.
- Soyez très prudent si vous devez utiliser le nettoyeur haute pression électrique à partir d'une échelle, d'une plate-forme ou de tout autre emplacement semblable.
- Agrippez fermement le pistolet de vaporisation avec les deux mains lorsque vous utilisez les modes de vaporisation haute pression afin d'éviter des blessures lorsque le pistolet de vaporisation crée l'effet de rebond.

4. Appliquez une vaporisation haute pression à une petite surface, puis vérifiez celle-ci pour des dommages. S'il n'y a aucun dommage, vous pouvez considérer qu'il est acceptable de poursuivre le rinçage.
5. Commencez à la partie supérieure de la surface à rincer, en vous dirigeant vers le bas en chevauchant comme lors du nettoyage.

Autres conseils de nettoyage

- Ne laissez JAMAIS le nettoyeur haute pression électrique sans supervision alors qu'il est branché dans une prise électrique et que l'eau est alimentée à l'appareil.
- Si vous avez l'embout de vaporisation trop éloigné de la surface à laver, le nettoyage peut ne pas être efficace.

Fonctionnement du gonfleur électrique

Instructions de mise à la terre

Cet appareil doit être mis à terre. En cas de mauvais fonctionnement ou de panne, la mise à terre offre un chemin de faible résistance pour le courant électrique permettant ainsi de réduire le risque de décharge électrique. Cet appareil est équipé d'un cordon doté d'un conducteur de mise à terre pour équipement et d'une fiche de mise à terre. La fiche doit être branchée à une prise adaptée correctement installée et mise à la terre conformément à tous les codes et lois locaux.

DANGER! - Une mauvaise connexion du conducteur de mise à terre peut provoquer un risque de décharge électrique. Vérifier auprès d'un électricien qualifié ou le personnel à l'entretien si vous ne savez pas si la prise est bien mise à la terre. Éviter de modifier la fiche fournie avec l'appareil ; si elle n'est pas adaptée à la prise, faire installer une prise appropriée par un électricien qualifié. Ne pas utiliser aucun adaptateur avec cet appareil.

AVERTISSEMENT L'omission de lire et de se conformer au manuel de l'utilisateur et à toutes les directives d'utilisation avant d'utiliser le produit peut entraîner la mort, des blessures graves et des dommages matériels.

AVERTISSEMENT Risque d'électrocution. Le contact avec les deux conducteurs d'alimentation simultanément peut provoquer un choc électrique entraînant des blessures sévères voire la mort.

- Branchez uniquement dans une prise ayant une mise à la terre adéquate. Ne retirez PAS la broche de la mise à la terre de la fiche.
- Inspectez le cordon d'alimentation avant chaque utilisation, NE l'utilisez PAS si celui-ci est endommagé.
- Gardez tous les branchements secs et hors du sol.
- NE touchez PAS la fiche avec les mains mouillées.
- Ce produit est muni d'un interrupteur de fuite à la terre intégré dans la fiche du cordon d'alimentation. Si le remplacement de la fiche ou du cordon est nécessaire, veuillez utiliser des pièces de rechange identiques.

AVERTISSEMENT Risque d'éclatement. L'air sous haute pression peut provoquer des blessures sévères voire la mort.

- Suivez les directives du fabricant indiquées sur les articles pour éviter le surgonflage.
- N'utilisez que les pièces pneumatiques recommandées pouvant tolérer des pressions supérieures à 250 PSI.
- Ne laissez pas le gonfleur sans supervision lorsqu'il fonctionne.
- Ne pas utiliser une pression supérieure à 100 PSI.
- Jauge de pression d'air aux fins de référence uniquement.
- Toujours vérifier les articles à gonfler au moyen d'une jauge étalonnée afin de déterminer la pression actuelle.
- Gonfler des articles de 10 PSI ou moins, gonfler par à-coups et en vérifiant la pression avec la jauge étalonnée.

AVERTISSEMENT Risque de blessures oculaires. L'air sous haute pression peut provoquer des blessures sévères.

- Portez toujours des lunettes de protection conformément à la norme ANSI Z28.1 lorsque vous utilisez ou que vous êtes à proximité de cet équipement.

AVERTISSEMENT Risque d'incendie. L'utilisation en continu du gonfleur peut se traduire par de graves blessures.

- Laisser le gonfleur refroidir pendant trois (3) minutes entre chaque utilisation continue de cinq (5) minutes.

Le fonctionnement du gonfleur électrique est indépendant du nettoyeur haute pression; seul le cordon d'alimentation doit être branché comme indiqué dans cette section.

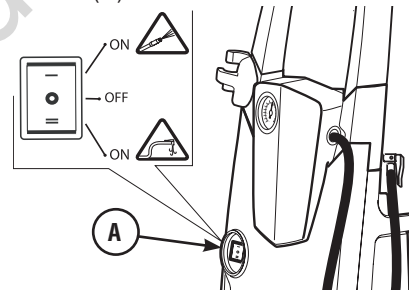
AVIS Des dommages à la pompe peuvent se produire si le gonfleur est utilisé en continu pendant plus de 5 minutes, Laissez la pompe de refroidir pendant 3 minutes avant de l'utiliser à nouveau.

AVIS NE PAS faire passer l'interrupteur principal de la position MARCHE/ARRÊT (A) à la position MARCHE (—) (fonction nettoyeur haute pression) sans que l'alimentation en eau soit raccordée et ouverte.

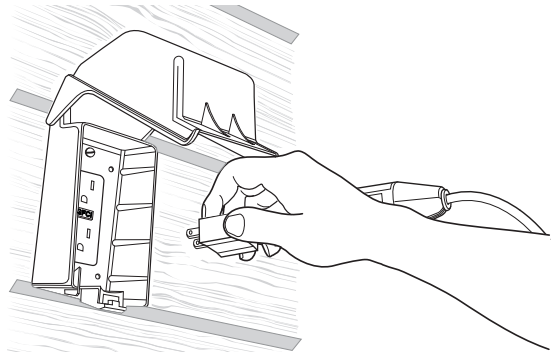
- Un dommage à l'équipement résultant du défaut de suivre cette directive annulera la garantie.

Suivez ces directives pour utiliser le gonfleur électrique :

1. Appuyez sur l'interrupteur principal MARCHE/ARRÊT (A) à la position ARRÊT (0).

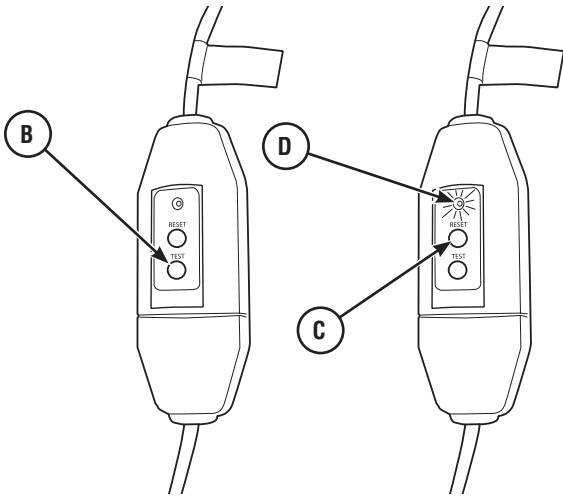


2. Branchez le cordon d'alimentation électrique dans un circuit électrique de 120 volts à 15 A qui est bien installé et mis à la terre selon la réglementation locale. Le témoin lumineux sur le disjoncteur de fuite à la terre devrait s'allumer.



AVIS Le témoin lumineux doit être visible pour que le gonfleur électrique fonctionne.

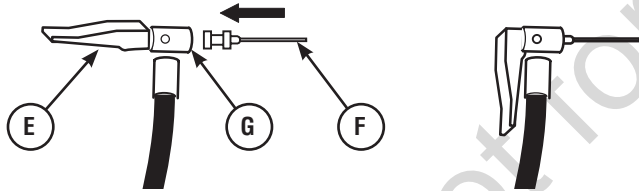
3. Appuyez sur le bouton TEST (essai) (B). Le témoin lumineux (D) devrait s'éteindre.



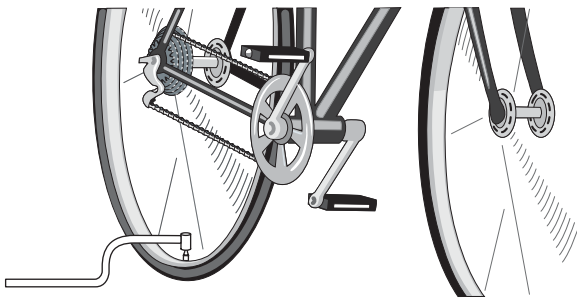
4. Appuyez sur le bouton RESET (réinitialiser) (C). Le témoin lumineux (D) devrait s'allumer.

AVIS NE PAS utiliser le gonfleur électrique si les essais ci-dessus ont échoués.

5. Le gonfleur électrique est muni de trois (3) adaptateurs. Lorsqu'un adaptateur est requis pour gonfler un objet, soulevez le levier (E) et insérez le bon adaptateur (F) à l'extrémité du boyau du gonfleur (G). Abaissez le levier pour fixer l'adaptateur.



6. Appuyez sur l'interrupteur principal MARCHE/ARRÊT (A) à la position MARCHE (=) pour gonfler.
7. Insérez l'adaptateur dans l'objet à être gonflé. Lorsque le gonflage est terminé, retirez l'adaptateur et appuyez sur l'interrupteur principal MARCHE/ARRÊT (A) à la position du centre ARRÊT (O).
8. Lors du gonflage de pneus, raccordez le boyau du gonfleur directement à la tige de valve du pneu. Lorsque le gonflage est terminé, retirez le boyau du gonfleur et appuyez sur l'interrupteur principal MARCHE/ARRÊT (A) à la position du centre ARRÊT (O).



9. Débranchez la prise à interrupteur de fuite à la terre et enroulez le cordon d'alimentation.

Entretien

Recommandations générales

Un entretien régulier améliorera la performance et prolongera la durée de vie du nettoyeur haute pression électrique.

La garantie sur ce nettoyeur haute pression électrique ne couvre pas les items assujettis à un abus ou négligence par l'opérateur. Pour recevoir la valeur en entier de la garantie, l'opérateur doit maintenir le nettoyeur haute pression électrique selon les instructions dans ce manuel, y compris le bon entreposage.

AVIS Si vous avez des questions concernant le remplacement des composants sur le nettoyeur haute pression électrique, veuillez appeler le **800-743-4115** pour obtenir de l'aide.

avant chaque utilisation

1. Nettoyez les débris.
2. Vérifiez la crépine de l'entrée d'eau pour la présence de débris ou de dommage.
3. Vérifiez le tuyau haute pression pour la présence de fuites.
4. Vérifiez le tube d'aspiration de détergent pour des dommages.
5. Vérifiez le fonctionnement du pistolet de vaporisation.

Entretien du nettoyeur haute pression électrique

Nettoyage des débris

Quotidiennement ou avant chaque utilisation, nettoyez les débris accumulés du nettoyeur haute pression électrique. Inspectez les fentes d'air de refroidissement et les ouvertures à l'avant, à l'arrière et en-dessous du nettoyeur haute pression électrique. Ces ouvertures doivent être gardées propres et sans obstruction.

Les pièces du nettoyeur haute pression électrique doivent être maintenues propres afin de réduire les risques de surchauffe et d'ignition des débris accumulés.

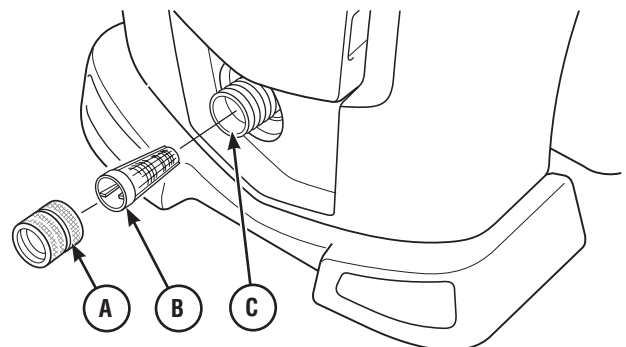
- Utilisez un chiffon humide pour essuyer les surfaces extérieures.

AVIS Un mauvais traitement du nettoyeur haute pression électrique pourrait l'endommager et réduire sa durée de vie utile.

- NE PAS insérer un objet dans les fentes de refroidissement.

Vérification et nettoyage de la crépine de l'entrée d'eau

Retirez le raccord de l'entrée d'eau (A). Ensuite, retirez la crépine d'entrée d'eau (B) de l'entrée d'eau de l'appareil (C) en utilisant des pinces à bec pointu. L'entrée d'eau se trouve au bas de l'avant de l'appareil. Examinez la crépine d'entrée d'eau. Si la crépine est sale, nettoyez-la avec une petite brosse et de l'eau. Si la crépine est endommagée, remplacez-la.



Vérification du tuyau haute pression

Le tuyau haute pression peut développer des fuites suite à l'usure, au pliage ou à l'abus. Inspectez le tuyau à chaque fois avant de l'utiliser. Vérifiez pour la présence de coupures, de fuites, d'abrasions, de gonflement de la gaine, de dommages ou de mouvements dans les raccords. Si une de ces conditions existe, remplacez le tuyau immédiatement.

⚠ AVERTISSEMENT Le jet d'eau haute pression que cet équipement produit peut transpercer la peau et ses tissus sous-jacents, entraînant des blessures sévères et même l'amputation.

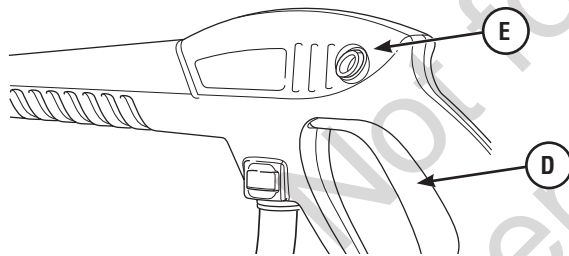
- Ne réparez JAMAIS le tuyau de haute pression. Remplacez-le.
- Les tuyaux de rechange DOIVENT être de valeur égale ou supérieure à la pression maximale nominale de l'appareil.

Vérification du tube d'aspiration de détergent

Assurez-vous que le raccord de tube est bien serré. Examinez le tube pour la présence de fuites ou de déchirures, remplacez-le s'il est endommagé.

Vérification du pistolet de vaporisation

Examinez le raccord de tuyau sur le pistolet de vaporisation et vérifiez qu'il est bien serré. Faites l'essai de la gâchette (D) en appuyant sur le bouton de verrouillage de la gâchette (E) et en vous assurant que la gâchette revient en place lorsque vous la relâchez. Vous ne devriez pas être en mesure d'appuyer sur la gâchette sans avoir appuyé sur le bouton de verrouillage de la gâchette. Remplacez le pistolet de vaporisation immédiatement si ces essais échouent.



Entretien des embouts de vaporisation

Une pression excessive de la pompe peut provoquer une sensation de pulsation pendant le serrage de la gâchette du pistolet de vaporisation. La cause principale de la pression excessive de la pompe est un embout de vaporisation bouché ou obstrué avec des matériaux étrangers tels que saleté, etc. Un embout de vaporisation bouché pourrait entraîner un cycle MARCHE/ARRÊT de la pompe ou qu'elle ne se mette pas en marche même s'il y a un léger débit.

Pour corriger le problème, nettoyez immédiatement l'embout de vaporisation en suivant les instructions suivantes :

1. Poussez sur l'interrupteur principal de mise en marche à la position ARRÊT (0). Retirez la fiche du cordon d'alimentation de la prise électrique.
2. Déconnectez l'alimentation d'eau du nettoyeur haute pression électrique.

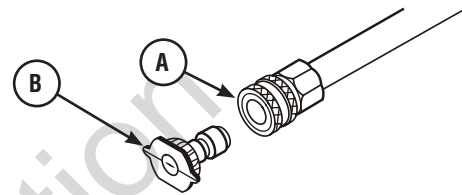
3. Pointez TOUJOURS le pistolet de vaporisation dans une direction sécuritaire, appuyez sur le bouton de verrouillage de la gâchette et serrez la gâchette du pistolet de vaporisation pour relâcher la haute pression d'eau restante.

⚠ AVERTISSEMENT Le jet d'eau haute pression que cet équipement produit peut transpercer la peau et ses tissus sous-jacents, entraînant des blessures sévères et même l'amputation.

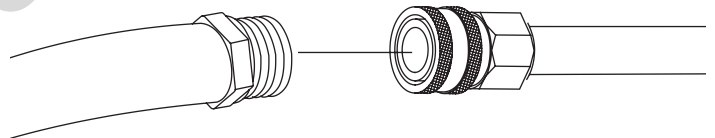
Le pistolet de vaporisation emprisonne une grande pression d'eau, même lorsque le moteur est arrêté et l'eau est déconnectée, ce qui peut entraîner des blessures sévères.

- Gardez le tuyau haute pression raccordé à la pompe et au pistolet de vaporisation lorsque le système est sous pression.
- Pointez TOUJOURS le pistolet de vaporisation dans une direction sécuritaire, serrez la gâchette du pistolet de vaporisation pour relâcher la haute pression à chaque fois que vous fermez le nettoyeur haute pression.

4. Retirez l'embout de vaporisation de l'extrémité du tube métallique (A).



5. Utilisez le nettoyeur pour embout pour libérer tout matériau étranger bouchant ou obstruant l'embout de vaporisation (B). Le nettoyeur pour embout se trouve à la partie inférieure arrière gauche de l'appareil.
6. En utilisant un boyau d'arrosage, enlevez tout débris restant en inversant la circulation de l'eau dans le tube métallique. Faites circuler l'eau à l'inverse pendant 30 à 60 secondes.



7. Réinstallez l'embout de vaporisation sur le tube métallique.
8. Raccordez le tube métallique au pistolet de vaporisation.
9. Assurez-vous que le boyau d'arrosage est raccordé à l'entrée d'eau. Vérifiez que le tuyau haute pression est raccordé au pistolet de vaporisation et à la pompe. Ouvrez l'eau.
10. Branchez le cordon d'alimentation dans une prise électrique et poussez sur l'interrupteur de mise en marche à la position MARCHE (—) du nettoyeur haute pression.
11. Faites l'essai du nettoyeur haute pression électrique en utilisant chaque embout de vaporisation à raccord rapide.

Entretien du moteur et de la pompe

Le nettoyeur haute pression électrique ne nécessite aucun entretien du moteur et de la pompe. Les deux ensembles sont préalablement lubrifiés et scellés, ne nécessitant aucune lubrification supplémentaire.

Après chaque utilisation

L'eau ne devrait pas demeurer dans l'appareil pour des périodes prolongées. Des sédiments ou des minéraux peuvent se déposer sur les pièces de la pompe et bloquer son fonctionnement. Suivez ces procédures après chaque utilisation :

1. Ouvrez l'alimentation en eau, pointez le pistolet dans une direction sécuritaire, appuyez sur le bouton de verrouillage de la gâchette et serrez la gâchette pour purger l'air de la pompe.
2. Déconnectez le boyau d'arrosage de l'alimentation d'eau et du nettoyeur haute pression.
3. Déconnectez le tuyau du pistolet de vaporisation et de la sortie haute pression sur la pompe. Videz l'eau du tuyau, du pistolet et du tube métallique. Utilisez un chiffon pour essuyer le tuyau.
4. Videz l'eau de la pompe en basculant l'appareil sur son côté avant (sortie d'eau vers le bas).
5. Enroulez et rangez le cordon d'alimentation, le tuyau à haute pression et les accessoires sur le plateau pour accessoires. Rangez le pistolet de pulvérisation sur le support du côté de l'appareil.
6. Entreposez l'appareil dans un endroit propre et sec.
7. Si l'entreposage dure plus de 30 jours, reportez-vous à la rubrique Entreposage hivernal ou de longue durée à la page suivante.

Entreposage hivernal ou de longue durée

L'eau ne devrait pas demeurer dans l'appareil pour des périodes prolongées. Des sédiments ou des minéraux peuvent se déposer sur les pièces de la pompe et bloquer son fonctionnement.

Procédures initiales d'entreposage

1. Vidangez la bouteille de détergent en la retirant de l'appareil et en vidant toute solution restante.
2. Rincez la bouteille de détergent avec de l'eau propre.
3. Faites fonctionner le nettoyeur haute pression électrique avec l'embout de vaporisation haute pression (rouge). Vidangez pendant une ou deux minutes.
4. Poussez sur l'interrupteur principal de mise en marche à la position ARRÊT (0). Retirez la fiche du cordon d'alimentation de la prise électrique.
5. Fermez l'alimentation d'eau. Pointez le pistolet dans une direction sécuritaire, appuyez sur le bouton de verrouillage de la gâchette et serrez la gâchette pour relâcher la pression emprisonnée. Après quelques instants, relâchez la gâchette sur le pistolet de vaporisation.
6. Déconnectez le boyau d'arrosage de l'alimentation d'eau et du nettoyeur haute pression. Déconnectez le tuyau de pression de la pompe et du pistolet de vaporisation.
7. Videz l'eau des tuyaux et du pistolet de vaporisation, puis utilisez un chiffon ou l'équivalent pour essuyer toutes les surfaces extérieures.

8. Assurez-vous que les tuyaux d'entrée et de sortie sont déconnectés de la pompe. Videz l'eau de la pompe en basculant l'appareil sur son côté avant (sortie d'eau vers le bas).

AVIS L'eau qui reste dans la pompe pourrait geler et endommager la pompe.

Protection de la pompe

Pour protéger la pompe des dommages causés par les dépôts de minéraux ou le gel, utilisez PumpSaver, modèle 6039, pour traiter la pompe. Ceci empêche les dommages dus au gel et lubrifie le plongeur et les joints d'étanchéité.

AVIS PumpSaver est un accessoire disponible en option. Il n'est pas compris avec le nettoyeur haute pression électrique. Communiquez avec le centre de service autorisé le plus près pour vous procurer PumpSaver.

AVIS Vous devez protéger votre appareil contre le gel.

- Omettre de le protéger endommagera de façon permanente votre pompe et rendra votre appareil inopérant.
- Les dommages causés par le gel ne sont couverts par la garantie.

Pour utiliser PumpSaver, assurez-vous que le nettoyeur haute pression électrique est mis en arrêt et que les tuyaux d'entrée et de sortie sont déconnectés. Lisez et suivez toutes les instructions et avertissements indiqués sur le récipient PumpSaver.

Procédures finales d'entreposage

1. Enroulez et rangez le cordon d'alimentation, le tuyau à haute pression et les accessoires sur le plateau pour accessoires. Rangez le pistolet de pulvérisation sur le support du côté de l'appareil.
2. Réinstallez la bouteille de détergent sur l'appareil.
3. Entreposez l'appareil dans un endroit propre et sec qui est protégé contre le gel.
4. Recouvrez l'appareil avec une couverture protectrice appropriée qui ne retient pas l'humidité.

Dépannage

Problème	Causes	Correction
La pompe présente les problèmes suivants : défaut de produire la pression, pression irrégulière, perte de pression, faible volume d'eau.	<ol style="list-style-type: none"> 1. L'entrée d'eau est bloquée. 2. L'alimentation d'eau est insuffisante. 3. Le boyau d'arrosage est plié ou fuit. 4. Crépine d'entrée d'eau bouchée. 5. L'alimentation d'eau est au-dessus de 100 °F (38 °C). 6. Le tuyau de haute pression est bloqué ou fuit. 7. Embout de vaporisation obstrué. 8. Pompe défectueuse. 	<ol style="list-style-type: none"> 1. Nettoyer l'entrée. 2. Fournir un débit d'eau adéquat. 3. Renforcer le boyau d'arrosage ou le remplacer s'il fuit. 4. Vérifier et nettoyer la crépine de l'entrée d'eau 5. Fournir une alimentation d'eau plus froide. 6. Dégager tout blocage dans le tuyau de haute pression ou le remplacer. 7. Nettoyer l'embout de vaporisation. 8. Communiquer avec un service à la clientèle Briggs & Stratton.
L'appareil ne démarre pas lorsque la gâchette du pistolet de vaporisation est serrée.	<ol style="list-style-type: none"> 1. L'alimentation d'eau n'est pas ouverte. 2. L'appareil n'est pas branché. 3. L'appareil n'est pas mis en marche. 4. Le boyau d'arrosage est trop long. 	<ol style="list-style-type: none"> 1. Ouvrir l'alimentation d'eau. 2. Branchez le cordon d'alimentation électrique dans un circuit électrique de 120 volts à 15 A qui est bien installé et mis à la terre selon la réglementation locale. 3. Pousser sur l'interrupteur principal de mise en marche à la position MARCHE (—) du <i>nettoyeur haute pression</i>. Réarmer l'interrupteur de fuite à la terre. 4. Utiliser uniquement un boyau d'arrosage d'une longueur maximale de 50 pi (15,24 m).
Le détergent ne se mélange pas avec la vaporisation.	<ol style="list-style-type: none"> 1. Le tube d'aspiration est bouché ou fissuré. 2. Le tube d'aspiration n'est pas inséré complètement dans le réservoir de détergent. 3. Un embout de vaporisation haute pression est installé. 	<ol style="list-style-type: none"> 1. Nettoyer ou remplacer le tube d'aspiration. 2. Insérer le tube d'aspiration afin que son extrémité contacte le fond du réservoir de détergent. 3. Remplacer avec un embout de vaporisation basse pression (noir).
Le moteur du compresseur ne démarre pas.	<ol style="list-style-type: none"> 1. L'appareil n'est pas branché. 2. L'appareil n'est pas mis sous tension. 3. Le moteur du compresseur est défectueux. 	<ol style="list-style-type: none"> 1. Branchez le cordon d'alimentation électrique dans un circuit électrique de 120 volts à 15 A qui est bien installé et mis à la terre selon la réglementation locale. 2. Appuyez sur l'interrupteur principal MARCHE/ARRÊT à la position MARCHE (=) pour gonfleur. Réarmer l'interrupteur de fuite à la terre. 3. Communiquer avec un service à la clientèle Briggs & Stratton.

À partir du 1er novembre de 2012; la présente garantie remplace toute garantie non datée et toute garantie dont la date est antérieure au 1er novembre de 2012.

GARANTIE LIMITÉE

Briggs & Stratton Power Products Group, LLC réparera ou remplacera, sans frais, toutes pièces du nettoyeur à pression défectueuses comportant un vice de matériau ou un défaut de fabrication ou les deux. En vertu de la présente garantie, les frais de transport du produit soumis pour réparation ou remplacement sont à la charge de l'acheteur. La présente garantie sera en vigueur durant les périodes stipulées ci-dessous et est assujettie aux conditions stipulées ci-dessous. Pour obtenir des services en vertu de la garantie, téléphoner au Service à la clientèle de Briggs & Stratton au (800) 743-4115 ou communiquer avec eux par Internet à l'adresse BRIGGSandSTRATTON.COM.

Il n'existe aucune autre garantie expresse. Les garanties implicites, incluant celles de qualité marchande et d'adaptation à un usage particulier, sont limitées à une période d'un an à partir de la date d'achat ou jusqu'à la limite permise par la loi. Toute garantie implicite est exclue. La responsabilité pour dommages accessoires ou indirects est exclue dans la mesure où une telle exclusion est permise par la loi. Certains états/provinces ou pays n'autorisent aucune restriction sur la durée d'une garantie implicite, et certains états/provinces ou pays n'autorisent pas l'exclusion ou la limitation des dommages consécutifs ou indirects. Par conséquent, les restrictions et exclusions décrites ci-dessus pourraient ne pas s'appliquer dans votre cas. La présente garantie vous accorde des droits légaux spécifiques et vous pourriez également en avoir d'autres, qui peuvent varier d'un état ou d'une province à l'autre et d'un pays à l'autre.**

PÉRIODE DE GARANTIE

Usage par un consommateur	1 an
Usage à des fins commerciales	Aucune

** En Australie – Nos produits sont accompagnés de garanties qui ne peuvent être exclues en vertu de la Australian Consumer Law. Vous avez droit à un remplacement ou à un remboursement en cas de défaillance majeure et en compensation à toute autre perte ou dommage raisonnablement prévisible. Vous avez aussi droit à faire réparer ou remplacer les produits si les produits ne sont pas de qualité acceptable et que la défaillance n'équivaut pas à une défaillance majeure. Pour obtenir un service en vertu de la garantie, consultez notre Outil de recherche de distributeurs à www.briggsandstratton.com afin de trouver un distributeur de service après-vente agréé le plus près ou envoyez-nous un courriel ou une lettre à salesenquires@briggsandstratton.com.au, Briggs & Stratton Australia Pty Ltd, 1 Moorebank Avenue, NSW, Australia, 2170.

La période de garantie débute à la date d'achat par le premier utilisateur final, et se prolonge pour la durée stipulée ci-dessus. "Usage par un consommateur" signifie utilisation domestique personnelle dans une résidence, par l'acheteur au détail. "Usage à des fins commerciales" signifie toute autre utilisation, y compris à des fins commerciales, générant de revenus ou de location. Aux fins de la présente garantie, dès qu'un équipement a été utilisé commercialement une fois, il est par la suite considéré comme étant d'usage à des fins commerciales. L'équipement utilisé pour l'alimentation principale n'est pas couvert par la présente garantie.

POUR EXERCER LA GARANTIE SUR TOUT PRODUIT FABRIQUÉ PAR BRIGGS & STRATTON, IL N'EST PAS NÉCESSAIRE DE L'ENREGISTRER. CONSERVEZ LE REÇU COMME PREUVE D'ACHAT. SI, LORS D'UNE RÉCLAMATION DE GARANTIE, VOUS NE POUVEZ PROUVER LA DATE INITIALE DE L'ACHAT, NOUS UTILISERONS LA DATE DE FABRICATION DU PRODUIT COMME DATE DE RÉFÉRENCE POUR DÉTERMINER LA PÉRIODE DE GARANTIE.

À PROPOS DE LA GARANTIE

Nous acceptons de faire effectuer les réparations couvertes par la garantie et tenons à nous excuser pour tout inconfort subi. La plupart des réparations couvertes par la garantie sont traitées automatiquement; cependant, il arrive parfois que les demandes de service en vertu de la garantie soient non fondées. Par exemple, la garantie ne couvre pas les dommages causés à l'équipement par une utilisation abusive, par un manque d'entretien périodique, durant l'expédition, la manutention ou l'entreposage, ou en raison d'une installation inadéquate. De même, la garantie sera annulée si la date de fabrication ou le numéro de série apposé sur le nettoyeur à haute pression a été enlevé ou si l'équipement a été changé ou modifié. Durant la période de garantie, Briggs & Stratton après-vente agréé réparera ou remplacera, à son gré, toute pièce qui, après examen, est trouvée défectueuse à la suite d'une utilisation et d'un entretien normaux. La présente garantie ne couvre pas les réparations et les équipements suivants :

- **Usure normale:** Comme tout autre dispositif mécanique, les groupes électrogènes d'extérieur nécessitent l'entretien périodique de certaines pièces pour fonctionner adéquatement. La présente garantie ne couvre pas les frais de réparation des pièces ou des équipements dont la durée de vie utile a été dépassée à la suite d'une utilisation normale.
- **Installation et entretien:** La présente garantie ne couvre pas les équipements ou les pièces qui ont fait l'objet d'une installation ou de modifications et de changements inadéquats ou non autorisés, d'une mauvaise utilisation, de négligence, d'un accident, d'une surcharge, d'emballement, d'entretien inadéquat, de réparation ou d'entreposage qui, selon nous, auraient nui à la performance et à la fiabilité du produit. De plus, la garantie ne couvre pas l'entretien normal tel que les filtres à air, le réglage, le nettoyage du circuit d'alimentation et son obstruction (causée par l'accumulation de produits chimiques, de saletés, de calamine, de calcaire, et ainsi de suite).
- **Exclusions supplémentaires:** La présente garantie exclut les pièces qui s'usent tels que les raccords rapides, les joints d'étanchéité, les joints toriques, les pompes ayant fonctionné sans alimentation en eau ou tout dommage ou tout mauvais fonctionnement résultant d'un accident, d'une utilisation abusive, de modifications, de changements ou d'un entretien inadéquat du système, du gel ou d'une détérioration chimique. La garantie du produit ne couvre pas les pièces accessoires telles que les pistolets, les boyaux, les (rallonge du gicleur) lances et les buses. Cette garantie exclut tout équipement usé, remis à neuf ou de démonstration et toute défaillance due à une catastrophe naturelle ou à toute autre force majeure hors du contrôle du fabricant. 206457F, Rev. C, 10/23/2012

BRIGGS & STRATTON POWER PRODUCTS GROUP, LLC
MILWAUKEE, WI, USA

Français

fr

Not for
Réservé
Reproduction

Not for
Réservé
Reproduction



Nettoyeur haute pression électrique Briggs & Stratton

Caractéristiques du produit

Pression nominale.....	1 700 PSI (117,2 bars)*
Débit d'écoulement.....	1,3 gal/m (4,9 l/m)*
Mélange de détergent.....	Voir les instruction du fabricant
Température de l'alimentation d'eau	Ne devant pas dépasser 100 °F (38 °C)
Moteur.....	Type universel (brosse)
Tension nominale	120 volts c.a.
Courant	12,5 A

* Ce nettoyeur haute pression est évalué conformément à la norme PW101-2010 (essai et évaluation de la performance des nettoyeurs à pression) de l'Association des fabricants de nettoyeur haute pression).

Not for
Reproduction

Briggs & Stratton Power Products Group, LLC
P.O. Box 702
Milwaukee, Wisconsin, 53201-0702 É.-U.