



Illustrated Parts List

Model Series

31E600

TYPE NUMBERS
0110 THROUGH 4143.

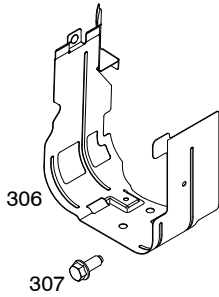
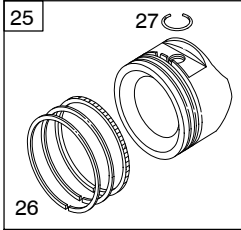
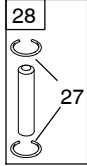
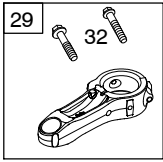
TABLE OF CONTENTS

Air Cleaner	6
Alternator	8
Blower Housing	6
Camshaft	2
Carburetor	4
Controls	8
Crankshaft	2
Cylinder	2
Cylinder Head	3
Electric Starter	8
Engine Sump	2
Exhaust System	6
Flywheel	7
Fuel Supply	5
Gasket Set - Engine	2
Gasket Set - Valve	3
Governor Spring	8
Ignition	8
Intake Manifold	3
Kit - Carburetor Overhaul	4
Lubrication	3
Operator's Manual	2
Piston, Rings, Connecting Rod	2
Valves	3
Warning Label	2



PRINTED IN U.S.A.

COPYRIGHT by BRIGGS & STRATTON CORPORATION
All rights reserved. No part of this material may be reproduced or transmitted, in any form or by any means, electronic or mechanical, including photocopying, recording or by any information storage and retrieval system, without permission in writing from Briggs & Stratton Corporation.



1319 WARNING LABEL

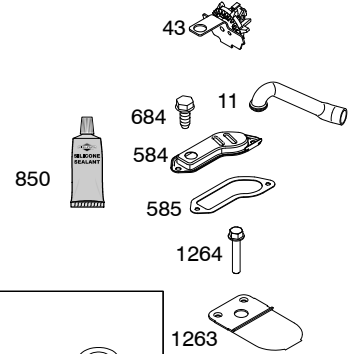
WARNING

Read and follow all safety instructions before working on any equipment to be repaired. Always use proper repair techniques and use only genuine parts. Do not use any accessories that could affect the safety of the equipment. Do not touch the parts.

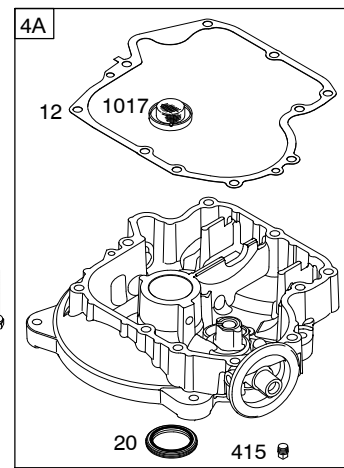
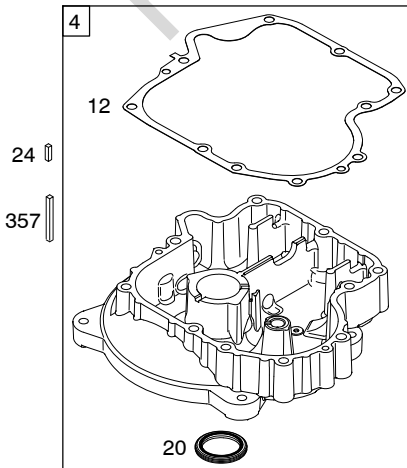
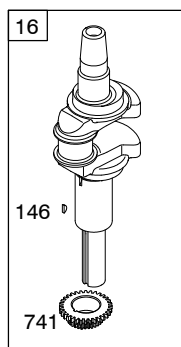
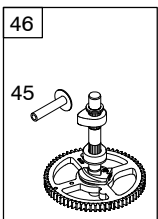
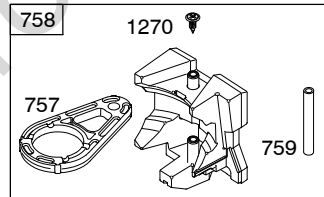
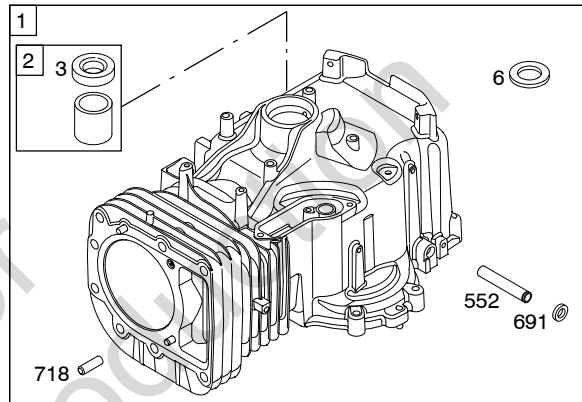
REQUIRED when replacing parts with warning labels affixed.

1058 OPERATOR'S MANUAL

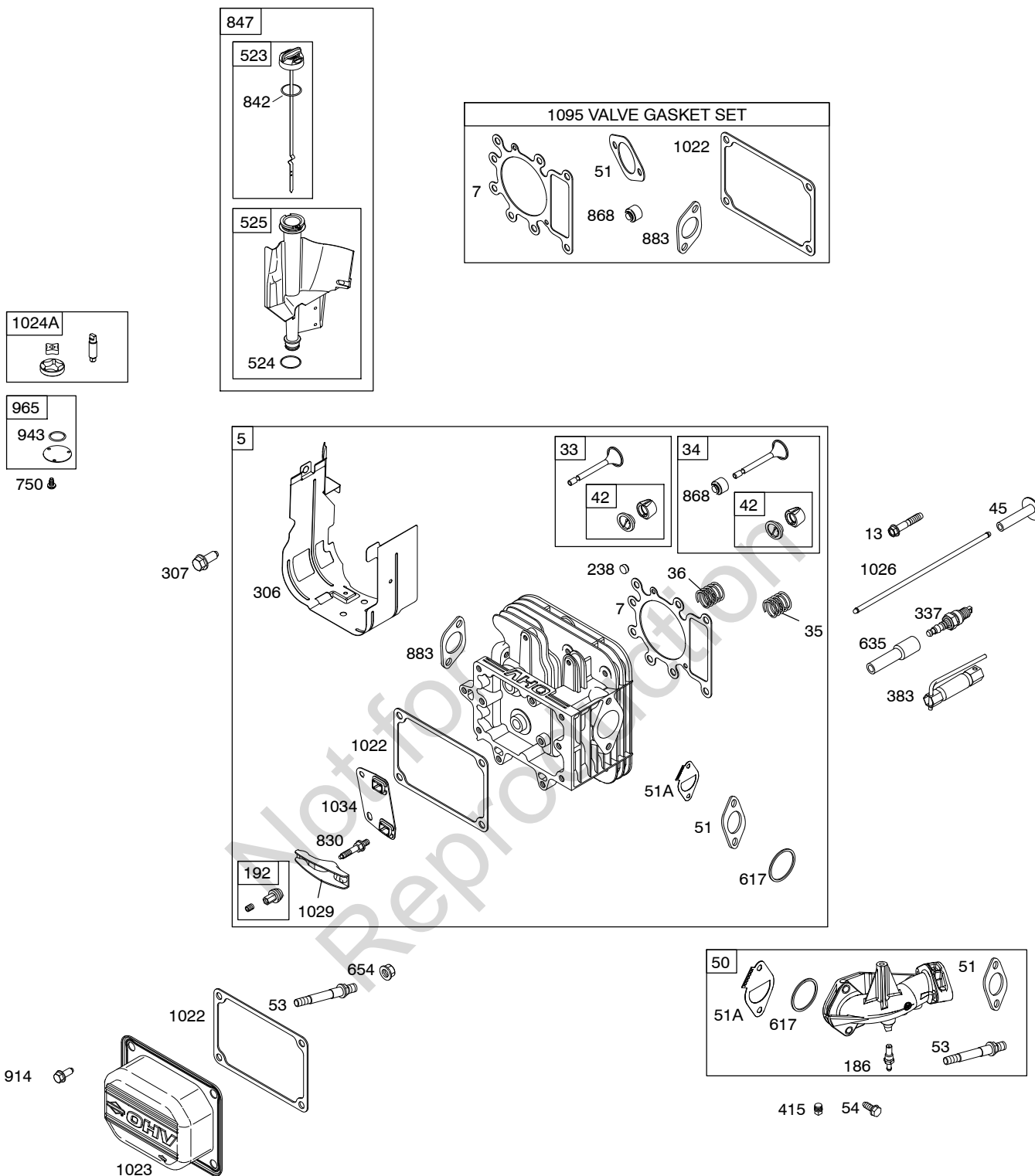
1036 EMISSIONS LABEL



358 ENGINE GASKET SET

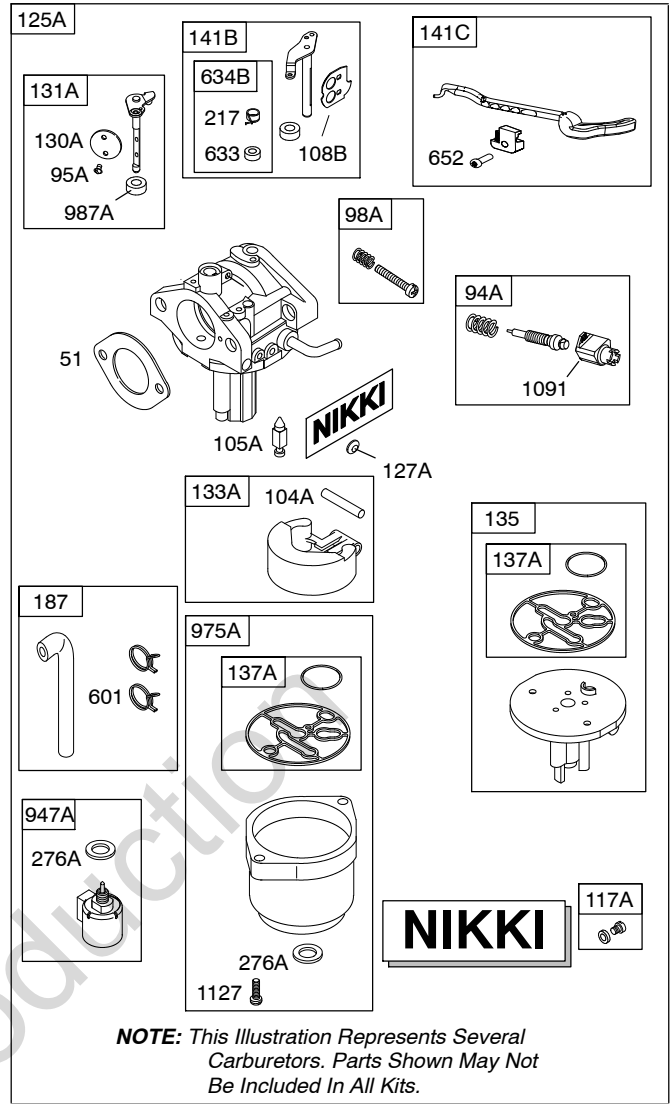
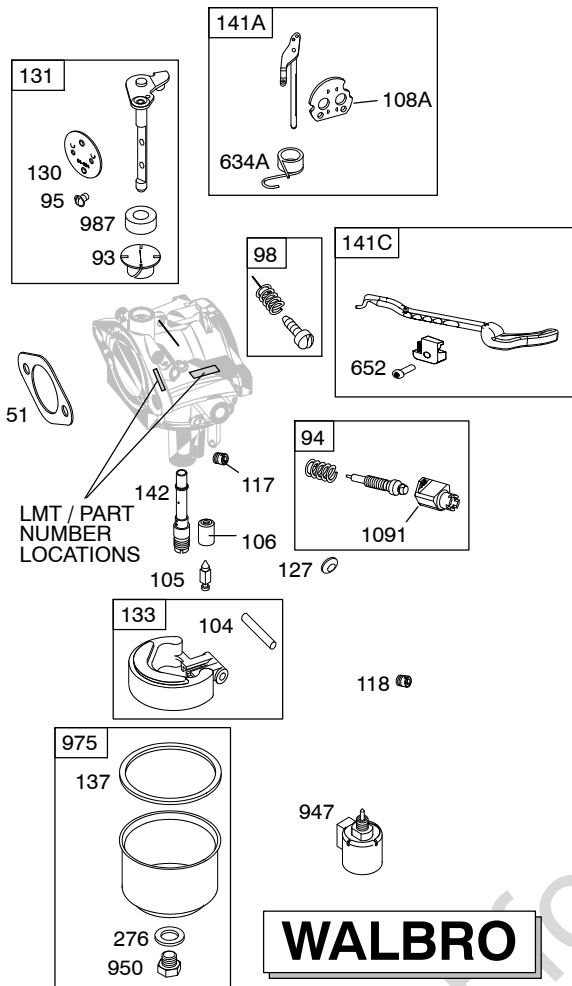


Illustrations cover a range of engines. Parts shown without corresponding text may not be used on your specific engine. 3737-2 Assemblies include all parts shown in frames. 05/10/2012



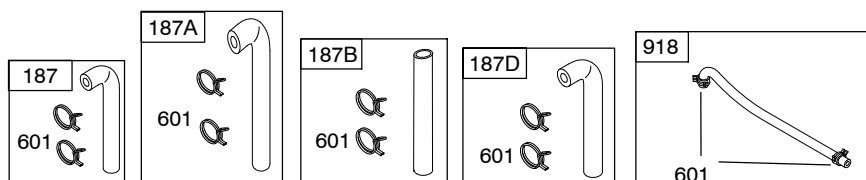
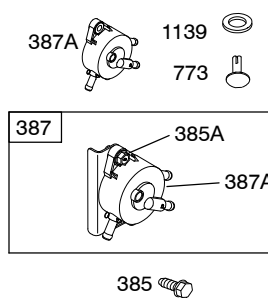
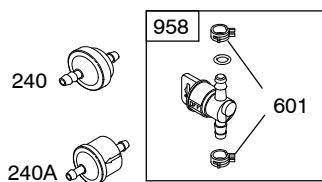
Illustrations cover a range of engines. Parts shown without corresponding text may not be used on your specific engine.
3737-3 Assemblies include all parts shown in frames. **05/10/2012**

31E600



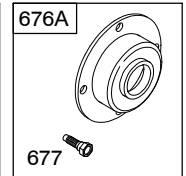
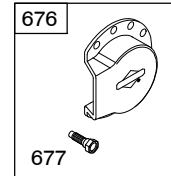
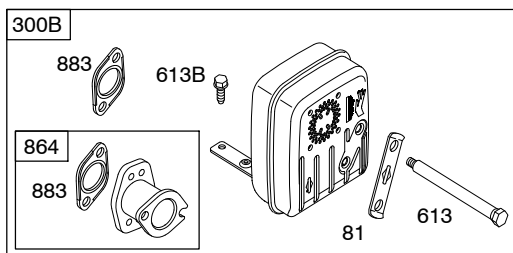
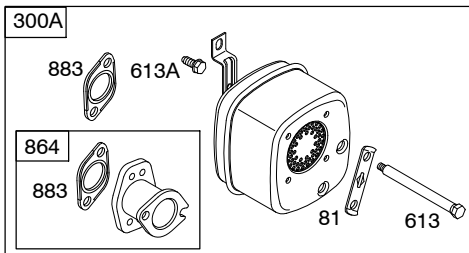
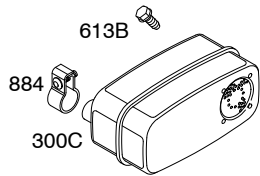
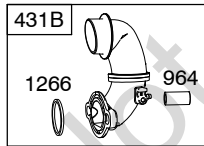
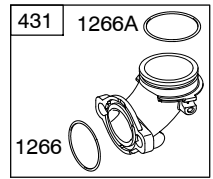
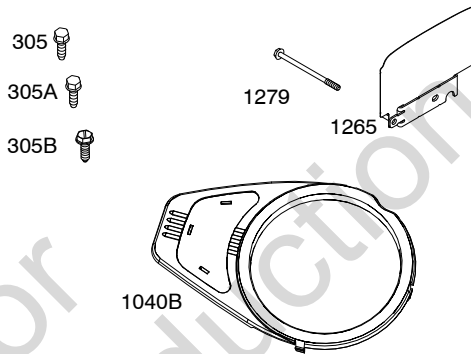
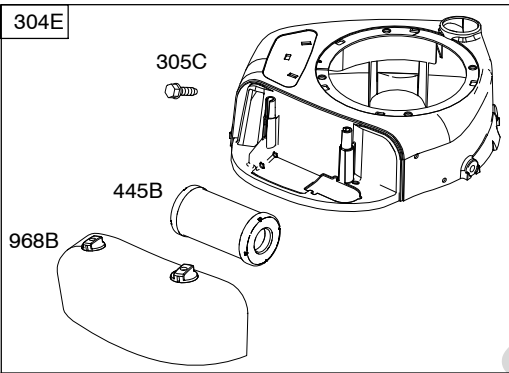
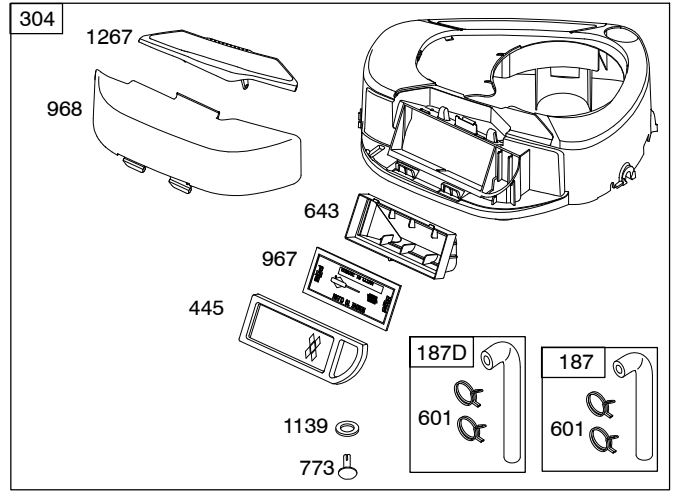
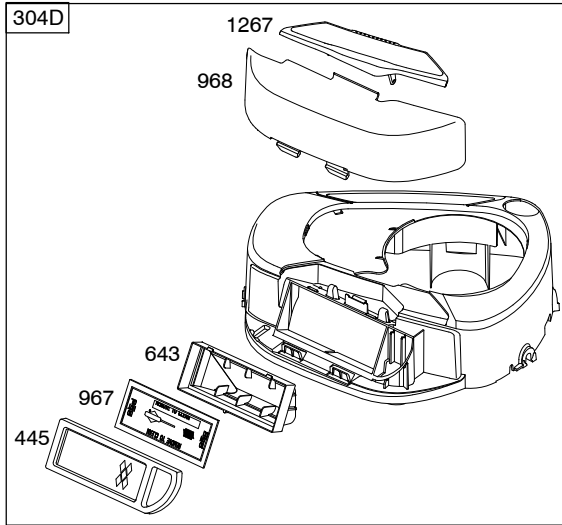
121 CARBURETOR OVERHAUL KIT					
51	104	137	276	95	
	105		987	1266	
	106	634A	93		
			617	1266A	

121A CARBURETOR OVERHAUL KIT			
51	127A	137A	98A
104A	987A		
105A	633	1266	217
51A	617	1266A	276A

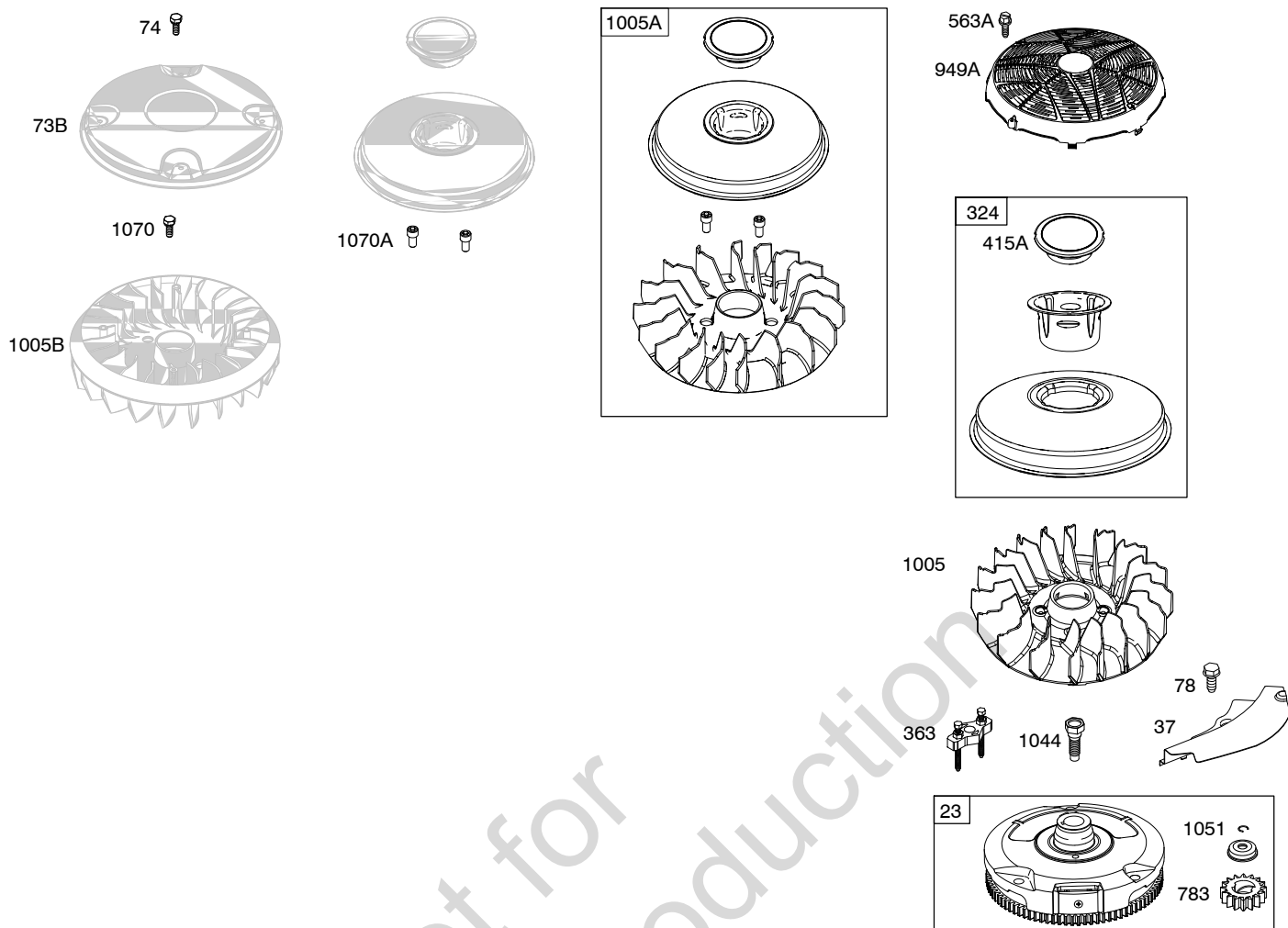


Not for
Reproduction

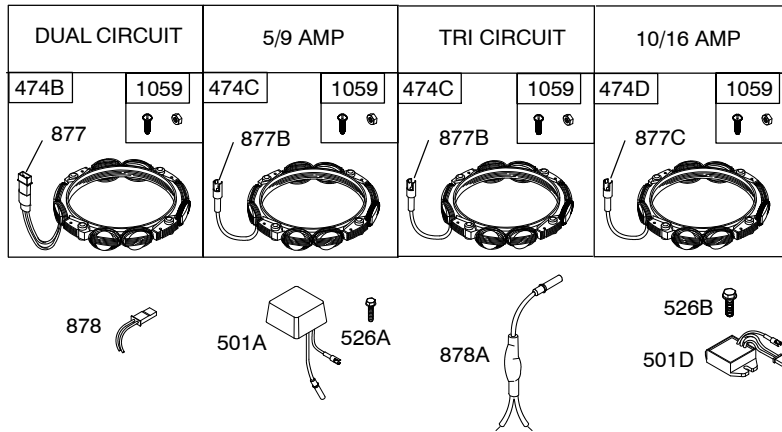
31E600



Illustrations cover a range of engines. Parts shown without corresponding text may not be used on your specific engine.

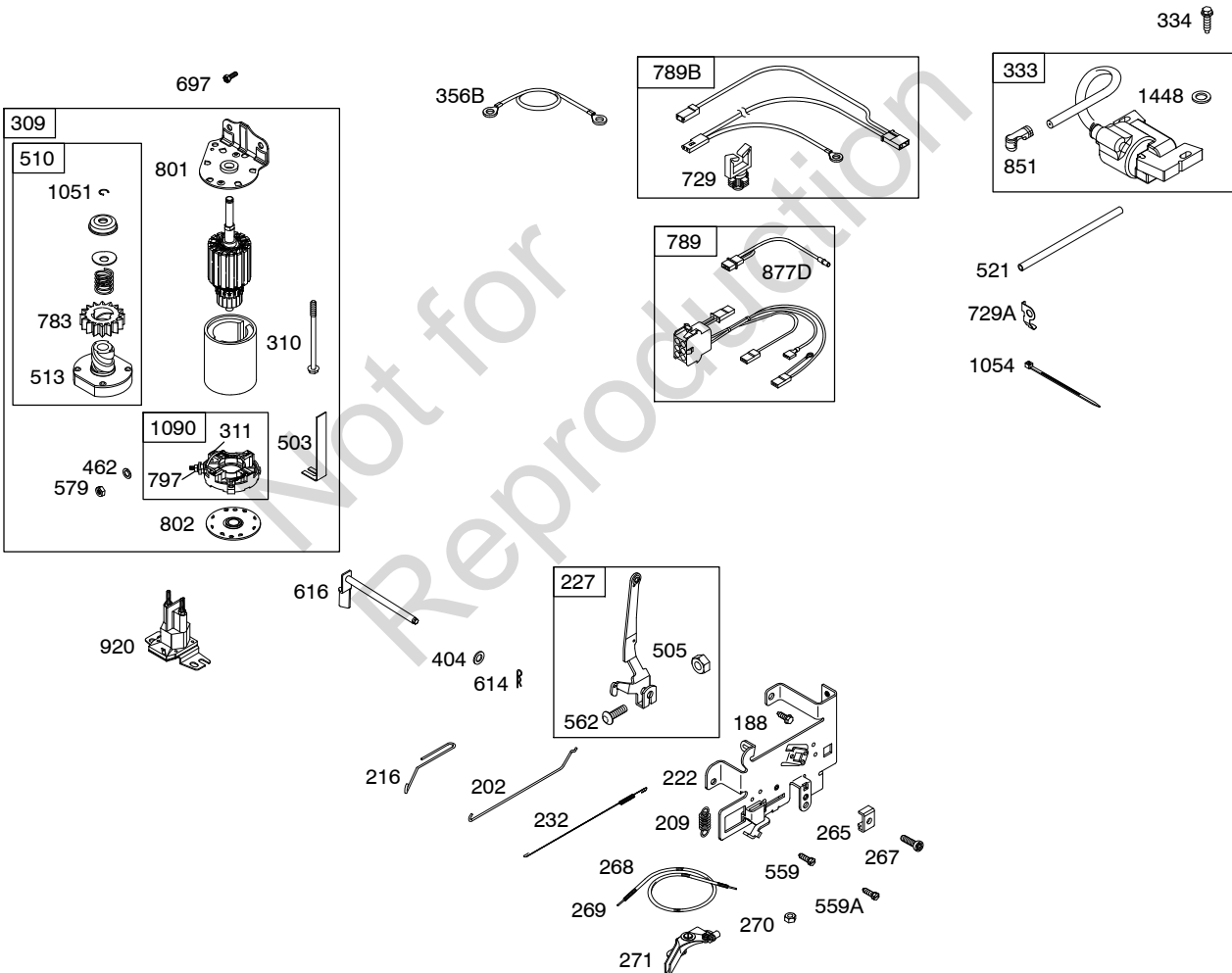


Illustrations cover a range of engines. Parts shown without corresponding text may not be used on your specific engine.
 3737-7 Assemblies include all parts shown in frames. 05/10/2012



NOTE: All stators use a No. 1119 mounting screw.

NOTE: The proper flywheel part number and/or the alternator magnet size will determine the alternator type or output. See repair instruction manual for additional information.



31E600

REF. NO.	PART NO.	DESCRIPTION	REF. NO.	PART NO.	DESCRIPTION	REF. NO.	PART NO.	DESCRIPTION
1	796010	Cylinder Assembly (Used After Code Date 08042700). ----- Note ----- 796010 Cylinder Assembly (Used Before Code Date 08042800) Must Be Used With The After 08042700 Cylinder Shield, Ref 306.	23	693556	Flywheel Used on Type No(s). 0111, 0120, 0124, 0134, 0140, 0141, 0143, 4140. ----- Note ----- 693557 Flywheel Used on Type No(s). 0110, 0112, 0114, 0718, 0746, 0772, 0812. 698281 Flywheel Used on Type No(s). 1438, 2438, 2772.	27	698469	Lock-Piston Pin
2	797673	Kit-Bushing/Seal (Magneto Side)				28	796007	Pin-Piston (Standard) (Used After Code Date 08042700). ----- Note ----- 697099 Pin-Piston (Standard) (Used Before Code Date 08042800). 697099 Pin-Piston (Standard) Used on Type No(s). 0118, 0125, 0144.
3	391086s	Seal-Oil (Magneto Side)				29	794122	Rod-Connecting (Standard) ----- Note ----- 794571 Rod-Connecting (Standard) Used on Type No(s). 0134, 0718, 0812, 1438, 2438.
4	697106	Sump-Engine Used on Type No(s). 0116, 0124, 0140, 0141, 2116, 4140.						
4A	697188	Sump-Engine	24	796335	Key-Flywheel	32	791118	Screw (Connecting Rod)
5	796026	Head-Cylinder	25	796172	Piston Assembly (Standard) ----- Note ----- 796173 Piston Assembly (.020" Oversize)	33	792868	Valve-Exhaust
6	690310	Washer (Used After Code Date 07070900).				34	791935	Valve-Intake
7	796584	Gasket-Cylinder Head				35	691279	Spring-Valve (Intake)
11	794683	Tube-Breather	26	791936	Ring Set (Standard) (Used After Code Date 08042700). ----- Note ----- 699026 Ring Set (Standard) (Used Before Code Date 08042800). 699026 Ring Set (Standard) Used on Type No(s). 0118, 0125, 0144.	36	691279	Spring-Valve (Exhaust)
12	697110	Gasket-Crankcase (.015" Thick) (Standard)						
13	793988	Screw (Cylinder Head) (Used After Code Date 07010900). ----- Note ----- 690360 Screw (Cylinder Head) (Used Before Code Date 07011000).						
15	690946	Plug-Oil Drain (Square Head)						
16	797579	Crankshaft ----- Note ----- 797585 Crankshaft Used on Type No(s). 0134, 0718, 0812, 1438, 2438.						
20	795387	Seal-Oil (PTO Side)						
22	692125	Screw (Crankcase Cover/Sump)						

Illustrations cover a range of engines. Parts shown without corresponding text may not be used on your specific engine.
3737-9 Assemblies include all parts shown in frames. 05/10/2012

31E600

REF. NO.	PART NO.	DESCRIPTION	REF. NO.	PART NO.	DESCRIPTION	REF. NO.	PART NO.	DESCRIPTION
37	697352	Guard-Flywheel	94	794176	Kit-Idle Mixture (Walbro)	117A	843099	Jet-Main (Standard)
42	499586	Keeper-Valve	94A	793610	Kit-Idle Mixture (Nikki)			Used on Type No(s). 0116, 0117, 0118, 0125, 0140, 0141, 0143, 0144, 0145, 0147, 0148, 0772, 1438, 2116, 2117, 2438, 2772, 4140, 4143.
43	691968	Slinger-Governor/Oil	95	691636	Screw (Throttle Valve) (Walbro)			
45	690564	Tappet-Valve	95A	690718	Screw (Throttle Valve) (Nikki)			
46	793880	Camshaft	98	495800	Kit-Idle Speed (Walbro)			----- Note -----
50	591248	Manifold-Intake (Used After Code Date 11121800). ----- Note ----- 796180 Manifold-Intake (Used Before Code Date 11121900).	98A	695408	Kit-Idle Speed (Nikki)			843009 Jet-Main (Standard) (Used After Code Date 09012400)
51	692137	Gasket-Intake	104	690525	Pin-Float Hinge (Walbro)			Used on Type No(s). 0110, 0111, 0114, 0120, 0123, 0124, 0133, 0134.
51A	796081	Gasket-Intake	104A	694918	Pin-Float Hinge (Nikki)			699732 Jet-Main (Standard) (Used Before Code Date 09012500).
53	591260	Stud (Carburetor) (Used After Code Date 11121800). ----- Note ----- 690227 Stud (Carburetor) (Used Before Code Date 11121900).	105	231855s	Valve-Float Needle (Walbro)			Used on Type No(s). 0110, 0111, 0114, 0120, 0123, 0124, 0133, 0134.
54	691148	Screw (Intake Manifold)	105A	696136	Valve-Float Needle (Nikki)			843009 Jet-Main (Standard) (Used After Code Date 08051300).
73B		Screen-Rotating (Used Before Code Date 07040900). (No Longer Available. See Reference 1005A For Service Flywheel Fan)	106	690577	Seat-Inlet (Gravity Feed Carburetor) ----- Note ----- 691780 Seat-Inlet (Pump Feed Carburetor)			Used on Type No(s). 0112, 0718, 0746, 0812.
74	697897	Screw (Rotating Screen) (Used Before Code Date 07040900).	108A	692344	Valve-Choke (Walbro)			699732 Jet-Main (Standard) (Used Before Code Date 08051400)
78	691693	Screw (Flywheel Guard)	108B	695419	Valve-Choke (Nikki)			Used on Type No(s). 0112, 0718, 0746, 0812.
81	691178	Lock-Muffler Screw	117	694352	Jet-Main (Standard)			
93	690602	Bushing-Throttle Shaft						

Illustrations cover a range of engines. Parts shown without corresponding text may not be used on your specific engine.
3737-10 Assemblies include all parts shown in frames. 05/10/2012

REF. NO.	PART NO.	DESCRIPTION	REF. NO.	PART NO.	DESCRIPTION	REF. NO.	PART NO.	DESCRIPTION																											
118	697228	Jet-Main (High Altitude)	121A	796184	Kit-Carburetor Overhaul (Nikki Carburetor)	127	695005	Plug-Welch (5/16" Diameter) (Walbro)																											
118A	790890	Jet-Main (High Altitude) Used on Type No(s). 0116, 0117, 0118, 0125, 0140, 0141, 0143, 0144, 0145, 0147, 0148, 0772, 1438, 2116, 2117, 2438, 2772, 4140, 4143. ----- Note ----- 790890 Jet-Main (High Altitude) (Used After Code Date 09012400) Used on Type No(s). 0110, 0111, 0114, 0120, 0123, 0124, 0133, 0134. 699458 Jet-Main (High Altitude) (Used Before Code Date 09012500). Used on Type No(s). 0110, 0111, 0114, 0120, 0123, 0124, 0133, 0134. 790890 Jet-Main (High Altitude) (Used After Code Date 08051300). Used on Type No(s). 0112, 0718, 0746, 0812. 699458 Jet-Main (High Altitude) (Used Before Code Date 08051400) Used on Type No(s). 0112, 0718, 0746, 0812.	125A	796109	Carburetor (Nikki) Used on Type No(s). 0116, 0117, 0118, 0125, 0140, 0141, 0143, 0144, 0145, 0147, 0148, 0772, 1438, 2116, 2117, 2438, 2772, 4140, 4143. ----- Note ----- 796109 Carburetor (Nikki) (Used After Code Date 09012400). Used on Type No(s). 0110, 0111, 0114, 0120, 0123, 0124, 0133, 0134. 794572 Carburetor (Nikki) (Used Before Code Date 09012500). Used on Type No(s). 0110, 0111, 0114, 0120, 0123, 0124, 0133, 0134. 796109 Carburetor (Nikki) (Used After Code Date 08051300). Used on Type No(s). 0112, 0718, 0746, 0812. 794572 Carburetor (Nikki) (Used Before Code Date 08051400) Used on Type No(s). 0112, 0718, 0746, 0812.	127A	690727	Plug-Welch (Nikki)	130	691750	Valve-Throttle (Walbro)	130A	699500	Valve-Throttle (Nikki)	131	790901	Kit-Throttle Shaft (Walbro)	131A	699501	Kit-Throttle Shaft (Nikki)	133	494381	Float-Carburetor (Walbro)	133A	694914	Float-Carburetor (Nikki)	135	698780	Tube-Fuel Transfer (Nikki)(Gravity Feed) ----- Note ----- 792022 Tube-Fuel Transfer (Nikki)(Pump Feed)						
121	697241	Kit-Carburetor Overhaul (Walbro Carburetor)				137	281165s	Gasket-Float Bowl (Walbro)	137A	698781	Gasket-Float Bowl (Nikki)	141A	790902	Kit-Choke Shaft	141B	792777	Kit-Choke Shaft	141C	793386	Rod-Choke Shaft	142	697140	Nozzle-Carburetor (Standard)	146	691639	Key-Timing	186	794873	Connector-Hose	187	791805	Line-Fuel (Formed)(10-1/4 Inches Long)(Cut to Required Length)	187A	791806	Line-Fuel (Formed) (21" Long) (Cut to Required Length)

31E600

REF. NO.	PART NO.	DESCRIPTION	REF. NO.	PART NO.	DESCRIPTION	REF. NO.	PART NO.	DESCRIPTION
187B	791766	Line-Fuel (15" Long)(Cut To Required Length)	240	394358s	Filter-Fuel (White, 75 Microns) Used on Type No(s). 0112, 0116, 0140, 0141, 0143, 0145, 0772, 2116, 2772, 4140, 4143.	304	796416	Housing-Blower (Black-Compatible With Panel Style Filter) ----- Note ----- 796416 Housing- Blower (Black-Compatible With Panel Style Filter) (Used After Code Date 08082400). Used on Type No(s). 0718, 0812.
187D	791744	Line-Fuel (Formed) (14" Long) (Cut to Required Length)	240A	691035	Filter-Fuel (Includes Paper Element With A 40 Micron Rating) Used on Type No(s). 0110, 0111, 0114, 0117, 0118, 0120, 0123, 0124, 0125, 0133, 0134, 0144, 0147, 0148, 0718, 0812, 1438, 2117, 2438.	304D	699704	Housing-Blower (Black-Compatible With Panel Style Filter) (Used Before Code Date 08082500). Used on Type No(s). 0718, 0812.
188	691693	Screw (Control Bracket)	265	691024	Clamp-Casing	304E	797900	Housing-Blower (Black-Compatible With Canister Style Filter) Used on Type No(s). 0118, 0147, 0148, 2116, 2117, 2438, 2772, 4143. ----- Note ----- 799777 Housing- Blower (Compatible With Rewind Starter) Used on Type No(s). 4140.
192	691986	Adjuster-Rocker Arm	267	794904	Screw (Casing Clamp)	305	697102	Screw (Blower Housing)
202	691841	Link-Mechanical Governor	268	691025	Casing-Control Wire (Cut To Required Length)	305A	793376	Screw (Used On Non-Grommet Style Blower Housing)
209	792602	Spring-Governor Used on Type No(s). 0110, 0112, 0118, 0123, 0125, 0134, 0144, 0145, 0147. ----- Note ----- 690576 Spring- Governor Used on Type No(s). 0116, 0141, 0772, 2116, 2772, 4140. 260902 Spring- Governor Used on Type No(s). 0140. 690480 Spring- Governor Used on Type No(s). 0133. 796261 Spring- Governor Used on Type No(s). 0117, 0120, 0143, 2117, 4143. 796260 Spring- Governor Used on Type No(s). 0111, 0114, 0124, 0148, 0718, 0746, 0812, 1438, 2438.	269	691026	Wire-Control (Cut To Required Length)	305B	795891	Screw (Blower Housing To Intake Elbow)
			270	691027	Nut (Control Wire Casing)	305C	799370	Screw (Used On Grommet Style Blower Housing)
			271	691028	Lever-Control			
			276	692255	Washer-Sealing (Walbro)			
			276A	695410	Washer-Sealing (Nikki)			
			300A	795998	Muffler Used on Type No(s). 0110, 0112, 0114, 0118, 0123, 0124, 0125.			
			300B	795997	Muffler Used on Type No(s). 0111, 0117, 0120, 0134, 2117.			
			300C	498984s	Muffler Used on Type No(s). 0133, 0144, 0147.			
216	691840	Link-Choke						
222	694042	Bracket-Control						
227	691374	Lever-Governor Control (Standard)						
232	691842	Spring-Governor Link						
238	691843	Cap-Valve						
239	697049	Switch-Oil Pressure Used on Type No(s). 0134.						

Illustrations cover a range of engines. Parts shown without corresponding text may not be used on your specific engine.

31E600

REF. NO.	PART NO.	DESCRIPTION	REF. NO.	PART NO.	DESCRIPTION	REF. NO.	PART NO.	DESCRIPTION
306	796006	Shield-Cylinder (Used After Code Date 08042700). ----- Note ----- 697107 Shield-Cylinder (Used Before Code Date 08042800).	356B	697089	Wire-Stop	474C	696457	Alternator (5/9 Amp. Regulated Or Tri Circuit) Used on Type No(s). 0111, 0116, 0117, 0118, 0120, 0123, 0124, 0125, 0133, 0140, 0141, 0143, 0144, 0145, 0147, 0148, 2116, 2117, 4140, 4143.
307	691693	Screw (Cylinder Shield)	357	691483	Key-Pulley			
309	693551	Motor-Starter ----- Note ----- 693552 Motor-Starter Used on Type No(s). 0145.	358	796187	Gasket Set-Engine			
310	690323	Screw (Starter Motor) ----- Note ----- 691263 Screw (Starter Motor) Used on Type No(s). 0145.	363	19203	Puller-Flywheel	474D	696458	Alternator (10-16 Amp. Regulated) Used on Type No(s). 0134.
311	497608	Brush Set	383	89838s	Wrench-Spark Plug	501A	794360	Regulator (5/9 Amp.)
324	796308	Screen-Rotating (Used After Code Date 07040800).	385	694476	Screw (Fuel Pump)	501D	797375	Regulator (10-16 Amp.)
333	799650	Armature-Magneto	385A	690297	Screw (Fuel Pump)	503	691532	Strap-Starter
334	691061	Screw (Magneto Armature)	387	697090	Pump-Fuel (Includes Mounting Bracket) (Used Before Code Date 08082500).	505	691251	Nut (Governor Control Lever)
337	691043	Plug-Spark Used on Type No(s). 0110, 0112, 0114, 0116, 0117, 0118, 0120, 0124, 0133, 0140, 0141, 0143, 0144, 0145, 0147, 0148, 2116, 2117, 4140, 4143. ----- Note ----- 491055s Plug-Spark Used on Type No(s). 0111, 0123, 0125, 0134, 0746, 0812, 2438. 793541 Plug-Spark Used on Type No(s). 0718, 1438. 696202 Plug-Spark Used on Type No(s). 0812. 792015 Plug-Spark Used on Type No(s). 0772, 2772.	387A	808656	Pump-Fuel (Used After Code Date 08082400).	510	693699	Drive-Starter
			404	691691	Washer (Governor Crank)	513	692024	Clutch-Drive
			415	794903	Plug	521	690581	Shield-Cable
			415A	794129	Plug (Cover/Retainer)	523	699908	Dipstick
			431	697122	Elbow-Intake	524	691032	Seal-Dipstick Tube
			431B	797901	Elbow-Intake Used on Type No(s). 0118, 0147, 0148, 2116, 2117, 2438, 2772, 4140, 4143.	525	697085	Tube-Dipstick Used on Type No(s). 0110, 0114, 0117, 0118, 0120, 0123, 0124, 0125, 0133, 0134, 0144, 0147, 0148, 2117. ----- Note ----- 697184 Tube-Dipstick Used on Type No(s). 0112, 0116, 0140, 0141, 0143, 0145, 0772, 0718, 0746, 0812, 1438, 2116, 2438, 2772, 4140, 4143.
			445	797008	Filter-Air Cleaner Cartridge (Standard) ----- Note ----- 795115 Filter-Air Cleaner Cartridge (Premium)	526A	697088	Screw (Regulator)
			445B	796031	Filter-Air Cleaner Cartridge (Canister Style) Used on Type No(s). 0118, 0147, 0148, 2116, 2117, 2438, 2772, 4140, 4143.	526B	697348	Screw (Regulator)
			462	691261	Washer (Starter Cable)			
			474B	696459	Alternator (Dual Circuit) Used on Type No(s). 0110, 0112, 0114, 0718, 0746, 0772, 0812, 1438, 2438, 2772.			

Illustrations cover a range of engines. Parts shown without corresponding text may not be used on your specific engine.

31E600

REF. NO.	PART NO.	DESCRIPTION	REF. NO.	PART NO.	DESCRIPTION	REF. NO.	PART NO.	DESCRIPTION
552	697144	Bushing-Governor Crank	676	795036	Deflector-Muffler Used on Type No(s). 0111, 0112, 0117, 0118, 0120, 0125, 0133, 0134, 0144, 0147, 2117.	847	790443	Dipstick/Tube Assembly Used on Type No(s). 0110, 0114, 0117, 0118, 0120, 0123, 0124, 0125, 0133, 0134, 0144, 0147, 0148, 2117.
559	691693	Screw (.375 Inches Remote Choke Stop)	676A	396903	Deflector-Muffler Used on Type No(s). 0110, 0114, 0123.			----- Note -----
559A	697561	Screw (.419 Inches Remote Choke Stop)	677	690661	Screw (Muffler Deflector)			790422 Dipstick/Tube Assembly
562	691119	Bolt (Governor Control Lever)	684	697157	Screw (Breather Assembly)			Used on Type No(s). 0112, 0116, 0140, 0141, 0143, 0145, 0718, 0746, 0772, 0812, 1438, 2116, 2438, 2772, 4140, 4143.
563A	799359	Screw (Debris Guard)	691	692407	Seal-Governor Shaft			
579	691029	Nut (Starter Cable)	697	791680	Screw (Drive Cap)			
584	794682	Cover-Breather Passage (Use With Liquid Sealant Reference 850)	718	690959	Pin-Locating			
585	697109	Gasket-Breather (Used Before Code Date 07071900). (After Date Code Use Liquid Sealant Reference 850)	729	691335	Clip-Wire (Wire Saddle)	850	100106	Sealant-Liquid (Rocker Cover Gasket and Breather Gasket) (Used After Code Date 07071800).
601	791850	Clamp-Hose (Green)	729A	691224	Clip-Wire (Aluminum Coated Steel)			
		----- Note -----	741	697128	Gear-Timing	851	692424	Terminal-Spark Plug
		691038 Clamp-Hose (Black)	750	790832	Screw (Oil Pump Cover)	864	796002	Adapter-Muffler (Length 2.25 Inches)
613	691416	Screw (Muffler)	757	793242	Link-Counterweight	868	690968	Seal-Valve
613A	691678	Screw (Muffler)	758	793763	Counterweight	877	393456	Wire/Connector - Alternator (Dual Circuit)
613B	690297	Screw (Muffler)	759	697392	Pin-Counterweight			
614	691620	Pin-Cotter	773	796448	Retainer	877B	393537	Wire/Connector - Alternator (5/9 Amp. Regulated Or Tri Circuit)
616	692012	Crank-Governor	783	693713	Gear-Pinion	877C	399916	Wire/Connector - Alternator (10-16 Amp.)
617	692138	Seal-O Ring (Intake Manifold)	789	698329	Harness-Wiring	877D	790544	Wire/Connector - Alternator
633	699813	Seal-Choke/Throttle Shaft	789B	692037	Harness-Wiring			
634A	690802	Spring/Seal Assembly (Walbro)	797	693167	Nut (Brush Retainer)	878	398661	Harness-Alternator (Dual Circuit)
634B	698779	Spring/Seal Assembly (Nikki)	801	691283	Cap-Drive	878A	691955	Harness-Alternator (Tri Circuit)
635	691909	Boot-Spark Plug	802	691286	Cap-End			
643	698401	Retainer-Air Filter	823	698941	Screw (Muffler Adapter)			
652	793380	Screw (Support Bracket)	830	691095	Stud-Rocker Arm			
654	690958	Nut (Carburetor)	836	691676	Screw (Muffler Guard)			
			842	691031	Seal-O Ring (Dipstick Tube)			

Illustrations cover a range of engines. Parts shown without corresponding text may not be used on your specific engine. 3737-14 Assemblies include all parts shown in frames. 05/10/2012

REF. NO.	PART NO.	DESCRIPTION	REF. NO.	PART NO.	DESCRIPTION	REF. NO.	PART NO.	DESCRIPTION
883	692236	Gasket-Exhaust	1005B		Fan-Flywheel (No Longer Available) (See Reference1005A For Service Flywheel Fan).	1070A	690363	Screw (Flywheel Fan) (Used Before Code Date 08061000 and After Code Date 07040800).
884	691956	Clamp-Muffler						
914	691108	Screw (Rocker Cover)						
918	791851	Hose-Vacuum	1017	690770	Screen-Oil Pump (Push In)	1090	691293	Retainer-Brush
920	691656	Solenoid-Starter	1022	272475S	Gasket-Rocker Cover (Used Before Code Date 07091000). (After Date Code Use Liquid Sealant Reference 850)	1091	691333	Cap-Limiter
943	690589	Seal-O Ring (Oil Pump Cover)				1095	796189	Gasket Set-Valve
947	694393	Solenoid-Fuel (Walbro)				1119	691183	Screw (Alternator)
947A	699915	Solenoid-Fuel (Nikki)				1127	695407	Screw (Float Bowl)
949A	799358	Guard-Debris Screen	1023	797421	Cover-Rocker	1139	796449	Washer
950	691657	Screw-Float Bowl	1024A	794644	Pump-Oil	1263	697124	Reed-Breather
958	698183	Valve-Fuel Shut Off (Plastic)	1026	692003	Rod-Push (Intake)	1264	697104	Screw (Breather Reed)
964	799159	Cap-Connector			----- Note ----- 692011 Rod-Push (Exhaust)	1265	697125	Support-Blower Housing
965	499613	Cover-Oil Pump				1266	691917	Seal-O Ring (Intake Elbow)
967	697015	Filter-Pre Cleaner	1027	492932s	Filter-Oil (Standard)	1266A	697123	Seal-O Ring (Intake Elbow)
968	698403	Cover-Air Cleaner (Black-Compatible With Panel Style Filter)			----- Note ----- 795890 Filter-Oil (Premium)	1267	697419	Latch-Blower Housing (Black)
968B	797902	Cover-Air Cleaner (Black-Compatible With Canister Style Filter)				1270	793243	Plug-AVS Counterweight
975	495933	Bowl-Float (Walbro)	1029	691751	Arm-Rocker	1279	691108	Screw (Blower Housing Support)
975A	699502	Bowl-Float (Nikki)	1034	690822	Guide-Push Rod	1319	794467	Label-Warning
987	691326	Seal-Throttle Shaft (Walbro)	1036		Label-Emissions (Available From A Briggs & Stratton Authorized Dealer)	1448	690260	Washer (Magneto Armature)
987A	698777	Seal-Throttle Shaft (Nikki)	1040B	699852	Plate-Trim			
1005	796083	Fan-Flywheel (Used After Code Date 07040800).	1044	698139	Screw (Flywheel)			
1005A	796201	Fan-Flywheel (Used Before Code Date 07040900).	1051	691265	Ring-Retaining			
			1054	280275	Tie-Cable			
			1058	276344	Operator's Manual			
			1059	698516	Kit-Screw/Washer			
			1070	791680	Screw (Flywheel Fan) (Used Before Code Date 07040900).			

Illustrations cover a range of engines. Parts shown without corresponding text may not be used on your specific engine.
3737-15 Assemblies include all parts shown in frames. 05/10/2012

Not for
Reproduction

